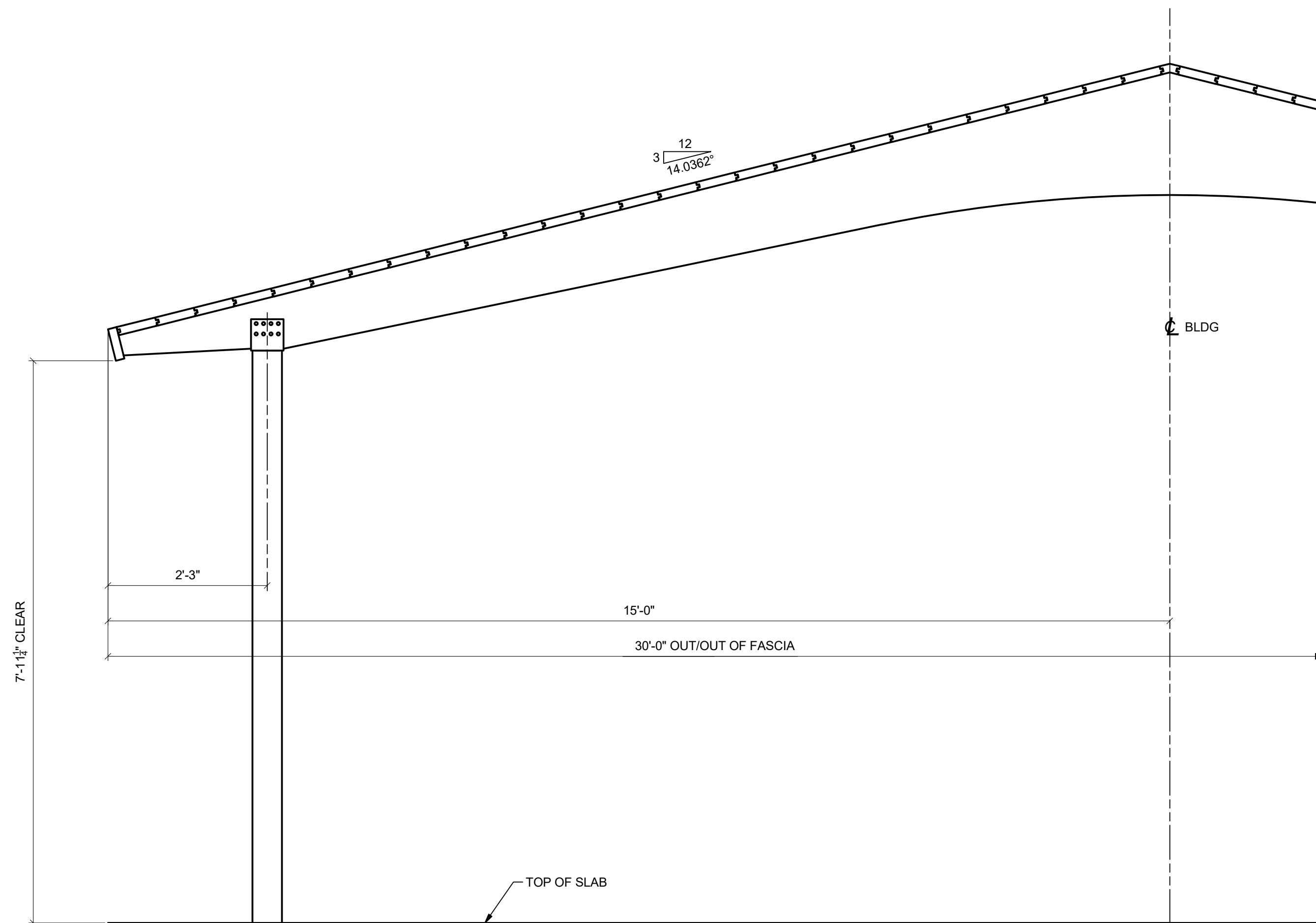
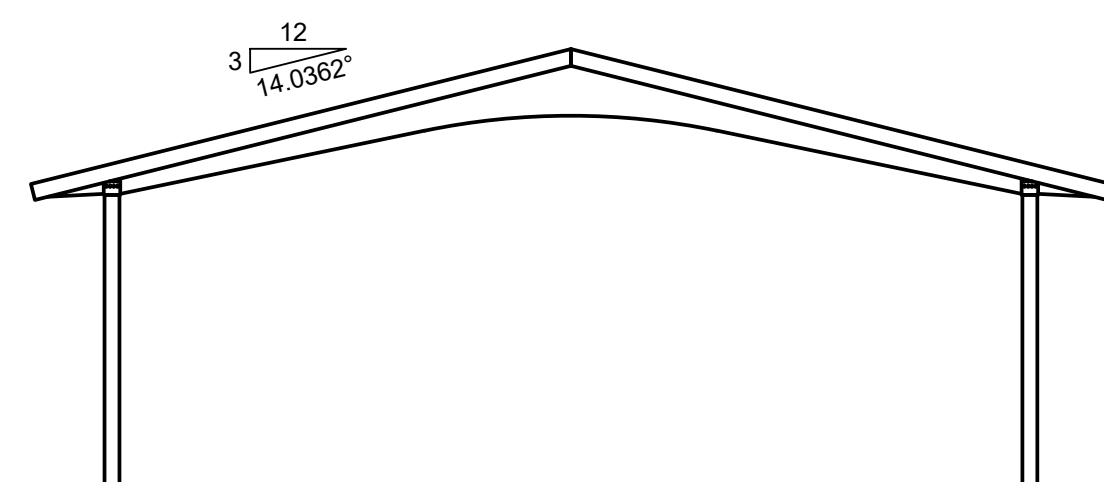


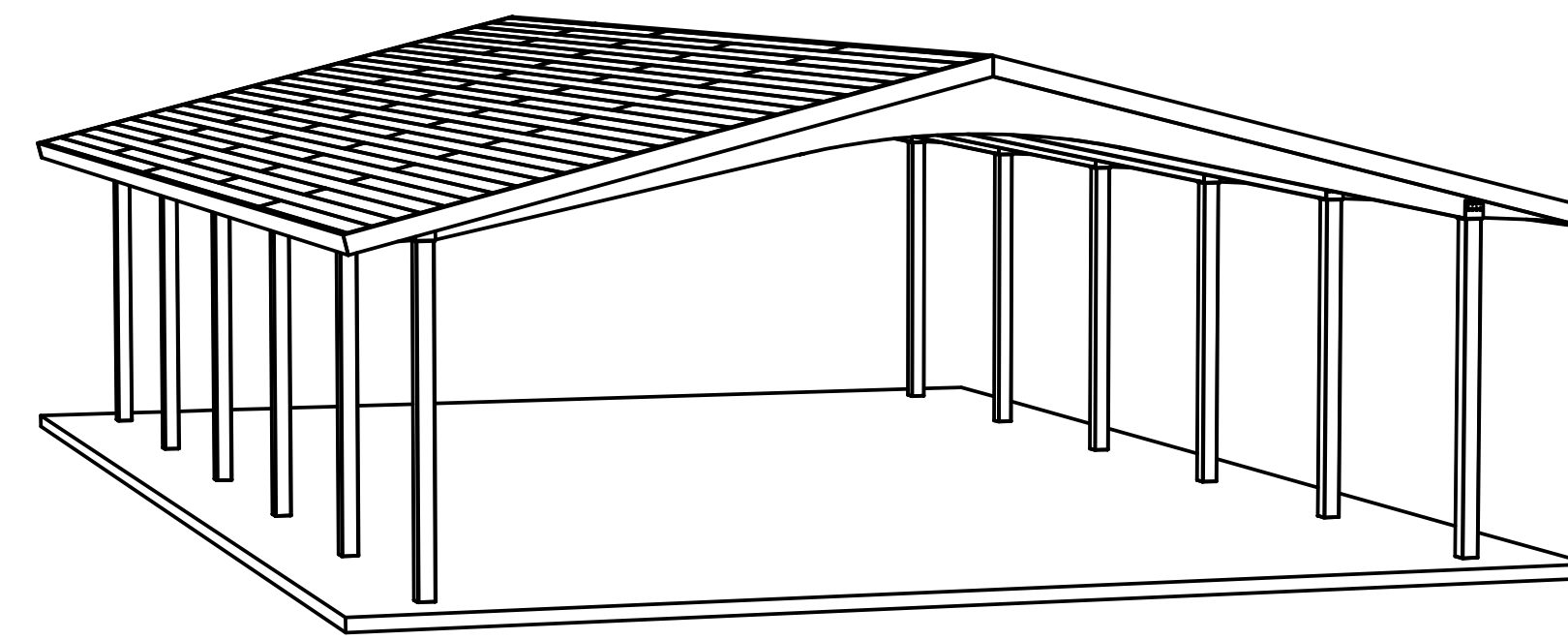
THIS PRINT IS THE PROPERTY OF RCP SHELTERS AND IS NOT TO BE USED, COPIED, OR REPRODUCED WITHOUT THEIR EXPRESSED WRITTEN PERMISSION.



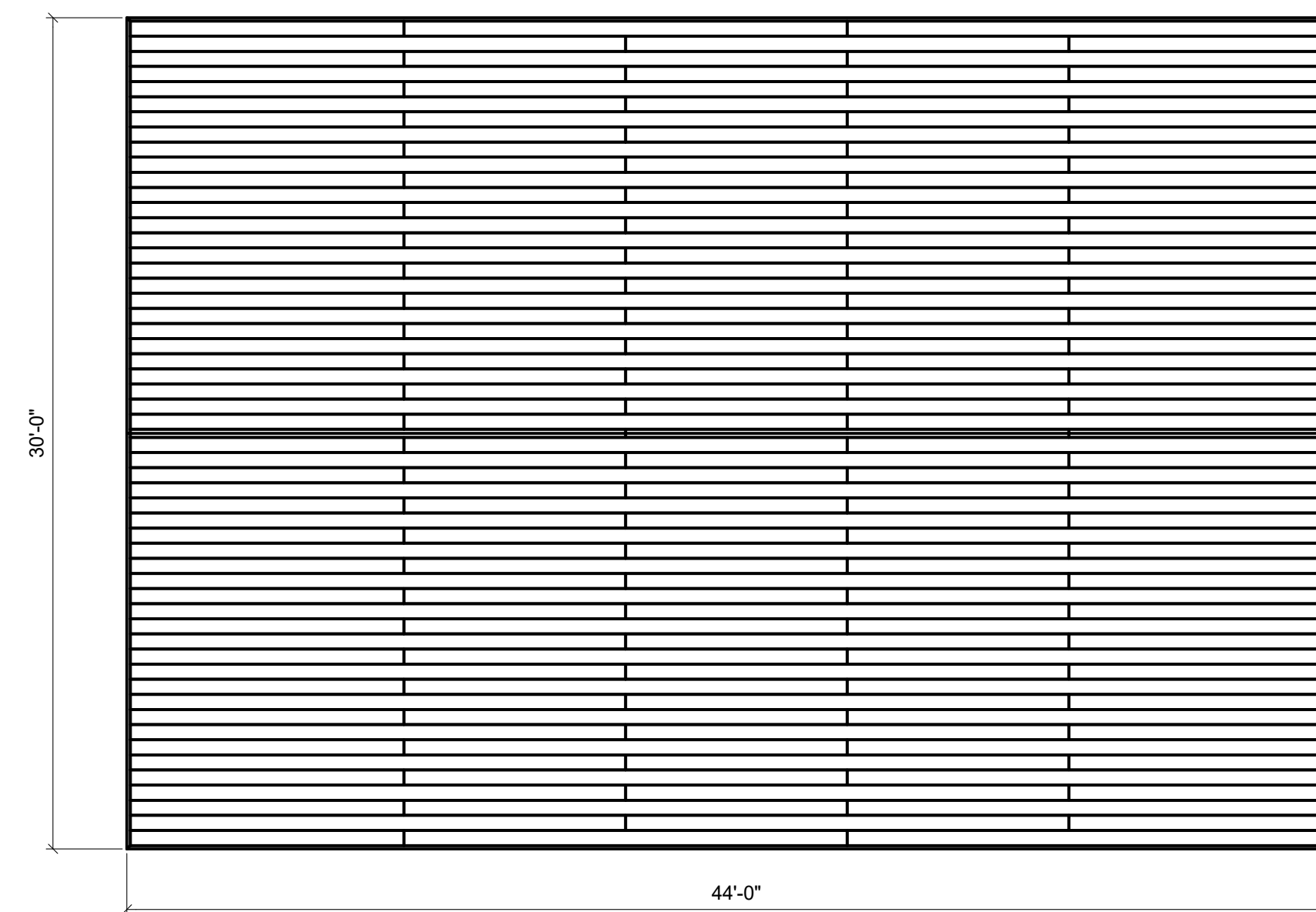
BUILDING SECTION
SCALE: 3/4" = 1'-0"



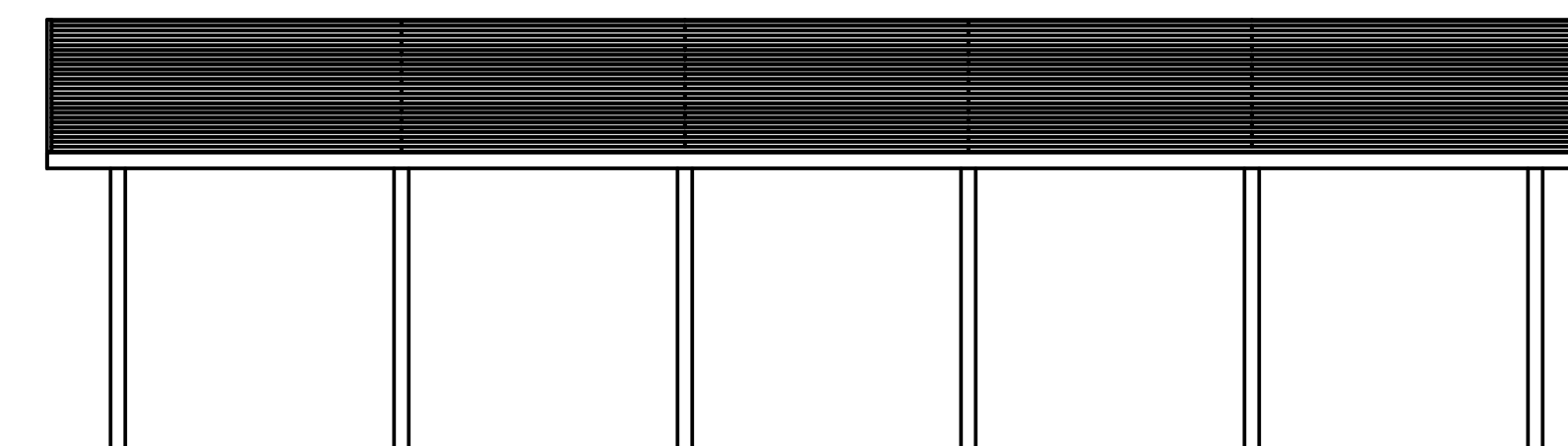
END ELEVATION
SCALE: 3/16" = 1'-0"



AUXILIARY VIEW



PLAN VIEW
SCALE: 3/16" = 1'-0"



SIDE ELEVATION
SCALE: 3/16" = 1'-0"

PRELIMINARY DRAWING - NOT FOR CONSTRUCTION

These drawings are preliminary in design and are subject to change pending final engineering. All member sizes, dimensions, quantities, and locations have the potential to be altered. Only use the final engineered drawings when performing the construction of this structure.

LW-G3044-03

RCP SHELTERS, INC.

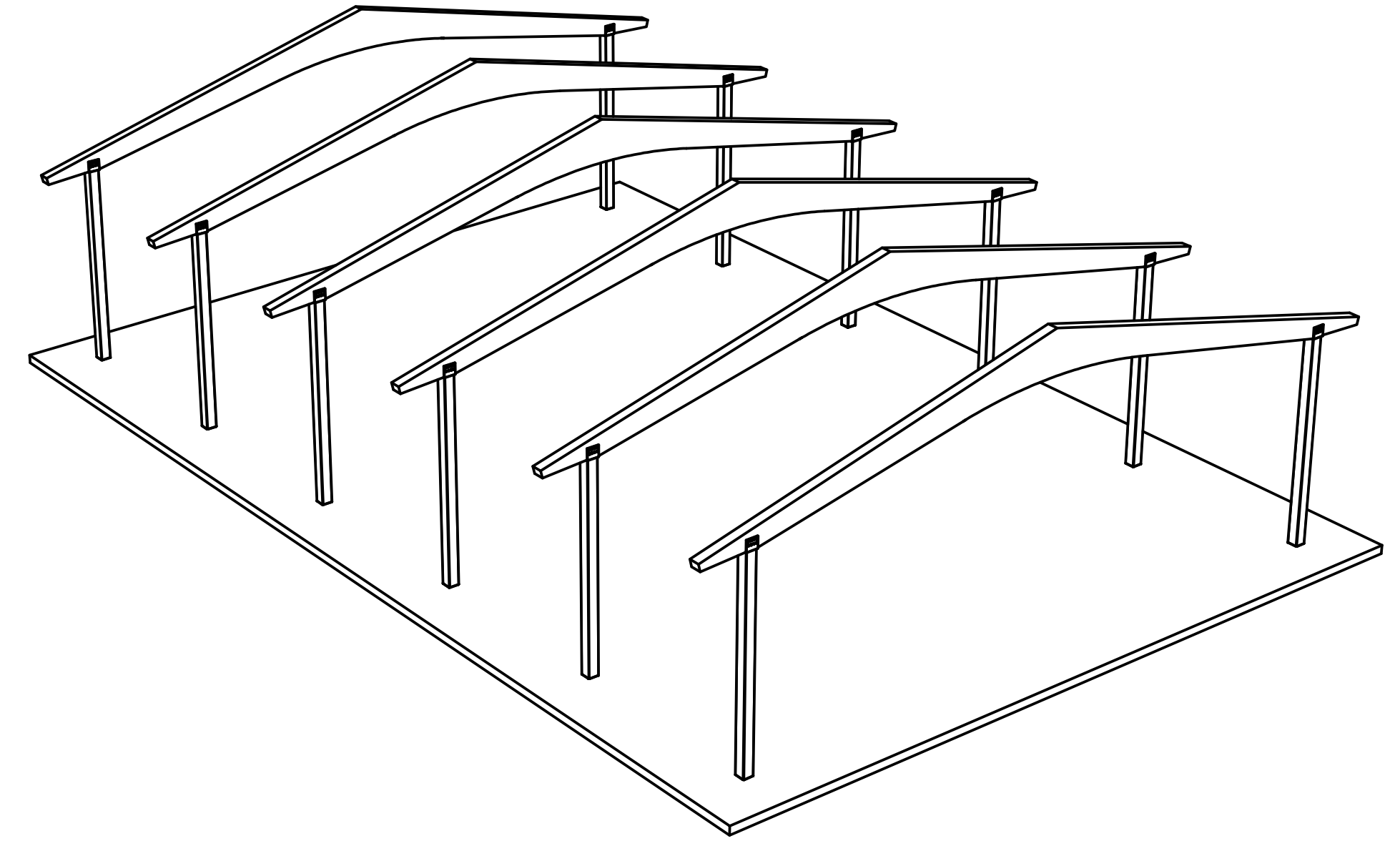
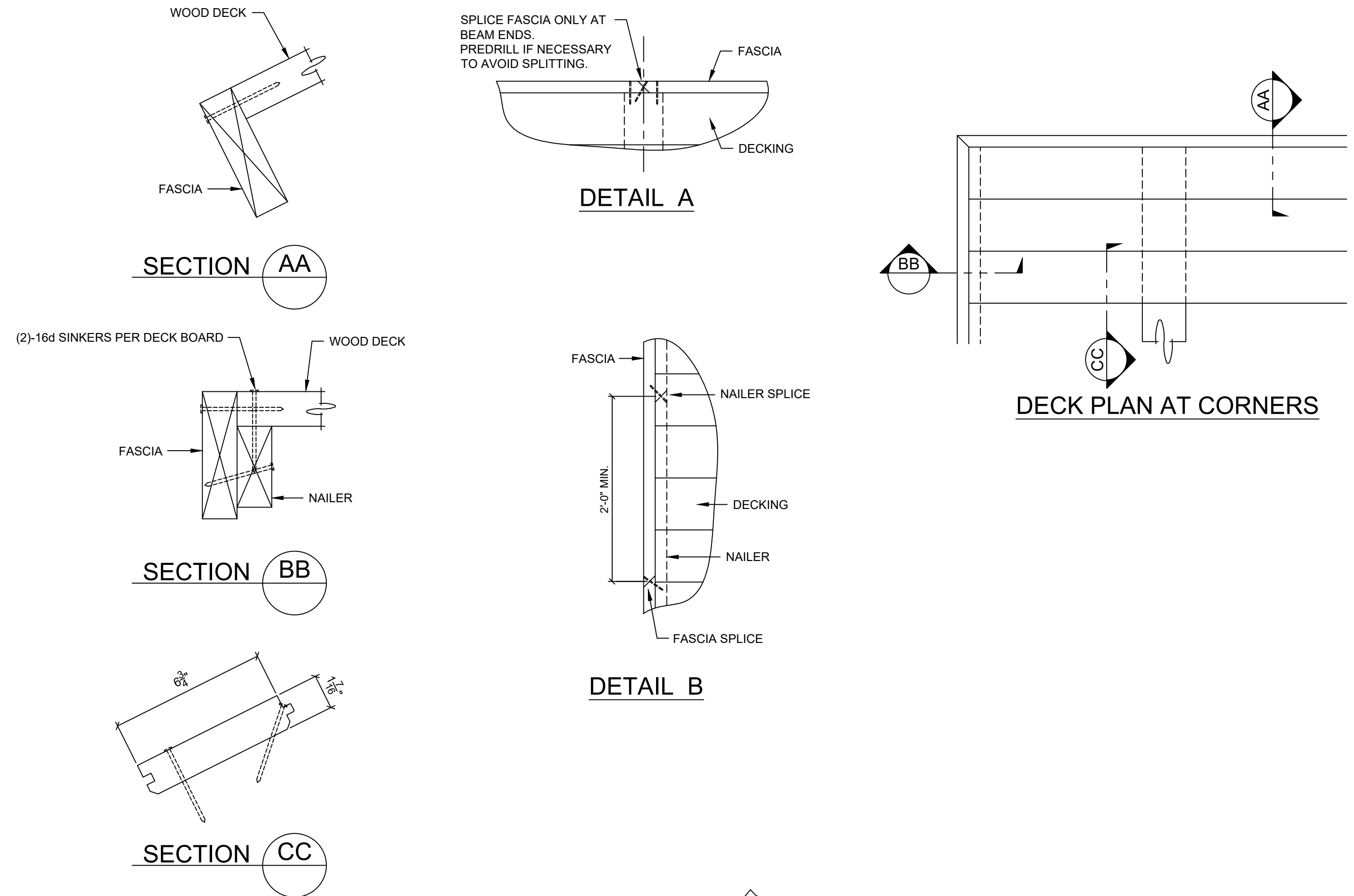
- 2100 SE RAYS WAY STUART, FL 34994 PO BOX 25 STUART, FL 34995-0025
- SHELTERS
 - PAVILIONS
 - CONCESSIONS
 - KIOSKS
 - FABRIC SHADE
 - RESTROOMS
 - BANDSHELLS
 - MINI-SHELTERS
 - DUGOUTS
 - FABRIC SAIL
- Phone 800-525-0207 Fax 772-288-0207
- www.rcpselters.com Email info@rcpselters.com



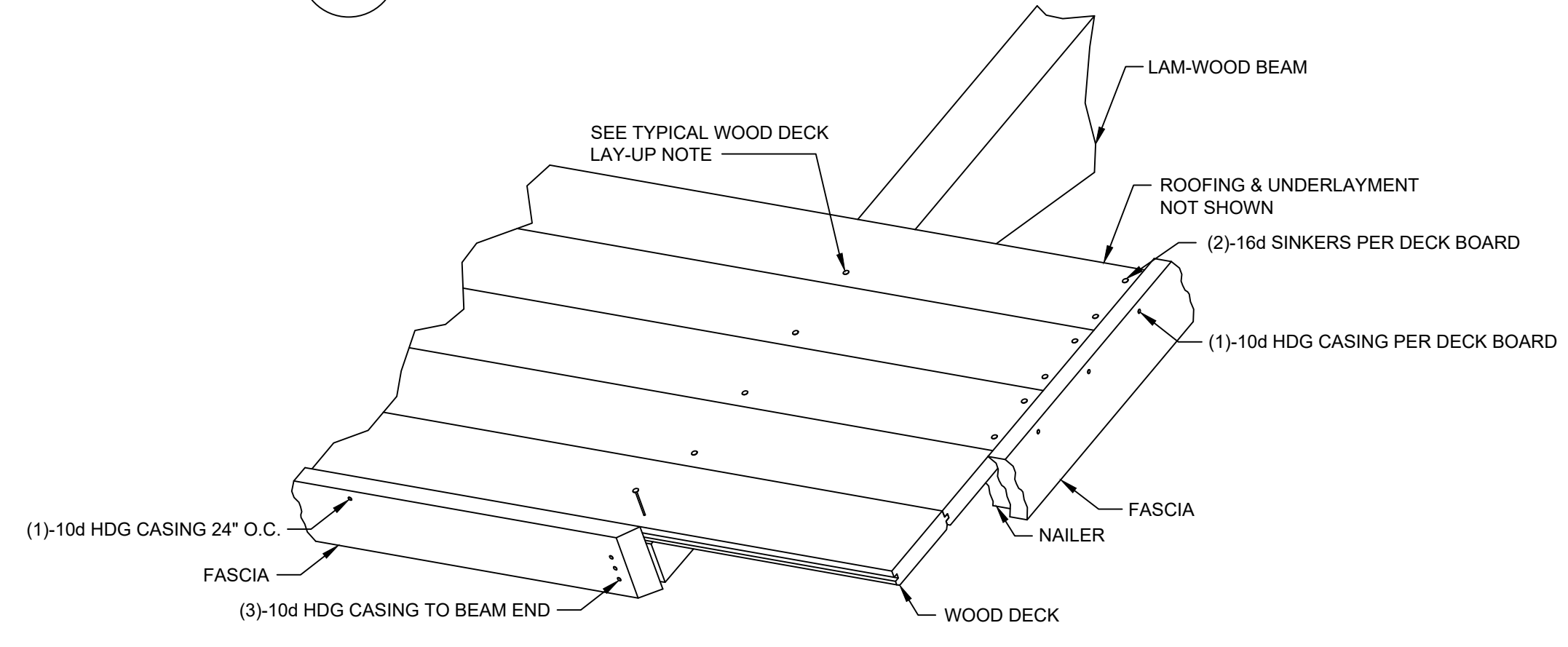
PROJ. NO.:	
DRAWN:	JCS 11/14/2019
CHKD:	
REV 1:	
REV 2:	
REV 3:	
REV 4:	
SHOP NO.:	LW-G3044-03
EEC JOB NO.:	
SHEET NO.:	



PROJ. NO.:	
DRAWN:	JCS 11/14/2019
CHKD:	
REV 1:	
REV 2:	
REV 3:	
REV 4:	
SHOP NO.:	LW-G3044-03
EEC JOB NO.:	
SHEET NO.:	



AUXILIARY FRAMING VIEW



TYPICAL DECK LAY-UP

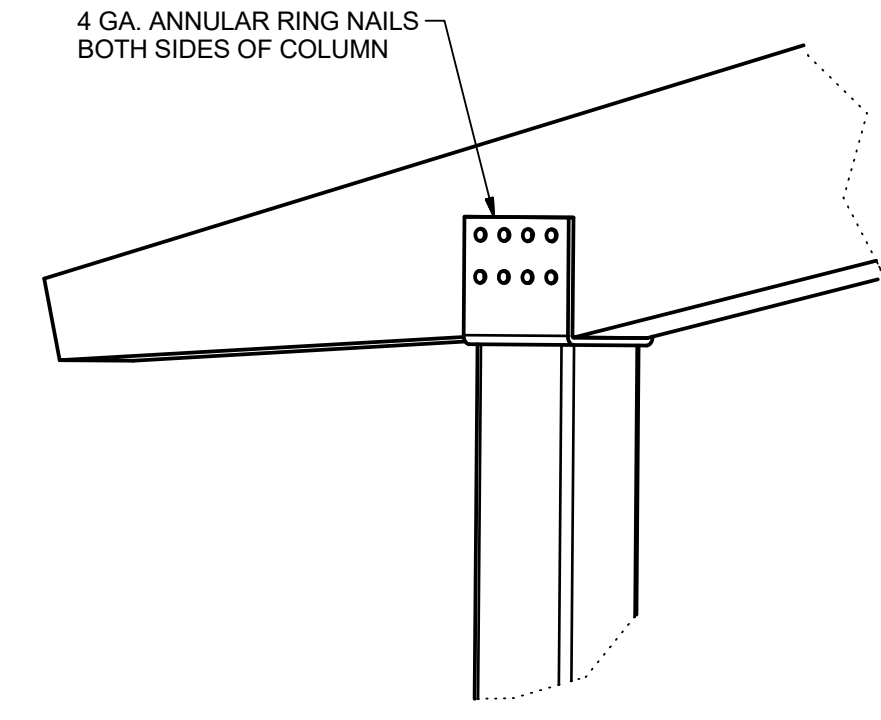
1. START LAYING DECK AT EAVE W/ TONGUES UP.
2. DRIVE COURSES TIGHT W/ BLOCKING.
3. TOE NAIL & FACE NAIL AT EACH SUPPORT (BEAMS) USING 16d COMMON NAILS.
4. SNAP CHALK LINE AT BUILDING RAKE & CUT DECKING STRAIGHT AND SQUARE.
5. DECKING IS FURNISHED IN SPECIFIED LENGTHS, ALTERNATE COURSES

FASCIA NOTES:

1. ALL FASCIA CORNERS AND SPLICES ARE TO BE MITERED.
2. SEE DETAILS A & B FOR SPLICE DETAILS.
3. ATTACH FASCIA WITH 10d HDG CASING NAILS:
 - a. TO 2x4 NAILER - 24" O.C.
 - b. TO BEAM ENDS - 3 NAILS PER FASCIA
 - c. TO ENDS OF ROOF DECKING - 1 NAIL PER DECK BOARD
 - d. AT CORNERS - 2 NAILS EACH DIRECTION
 - e. OTHER LOCATIONS - 24" O.C. TO ROOF DECKING

2 x 4 NAILER

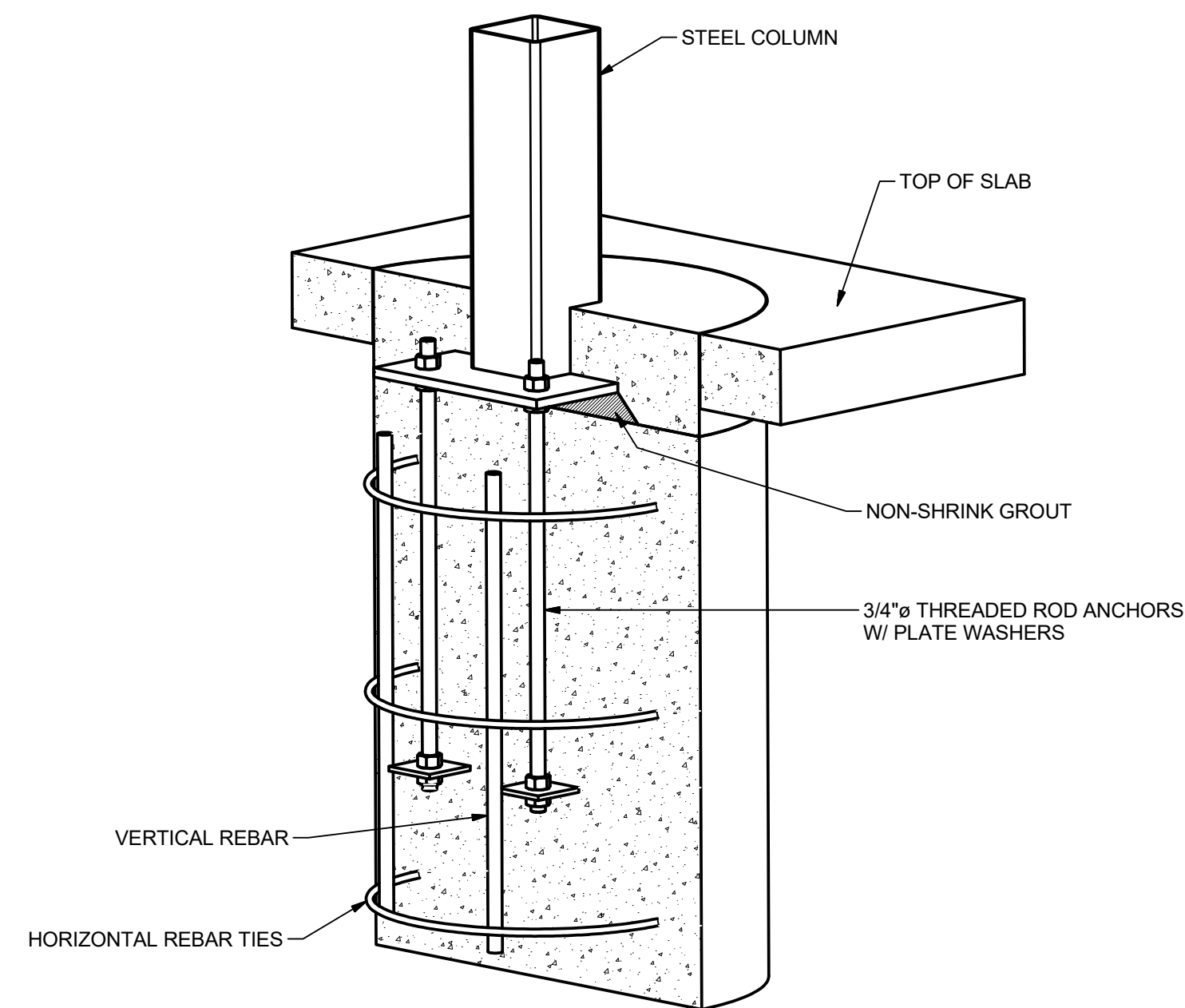
- A. MITER ALL SPLICES
- B. NAIL SPLICES TOGETHER WITH (2) 10d HDG CASING NAILS, DRIVE NAILS AT AN ANGLE TO AVOID PUNCHING THRU FASCIA.



STEEL COLUMN TO BEAM ATTACHMENT

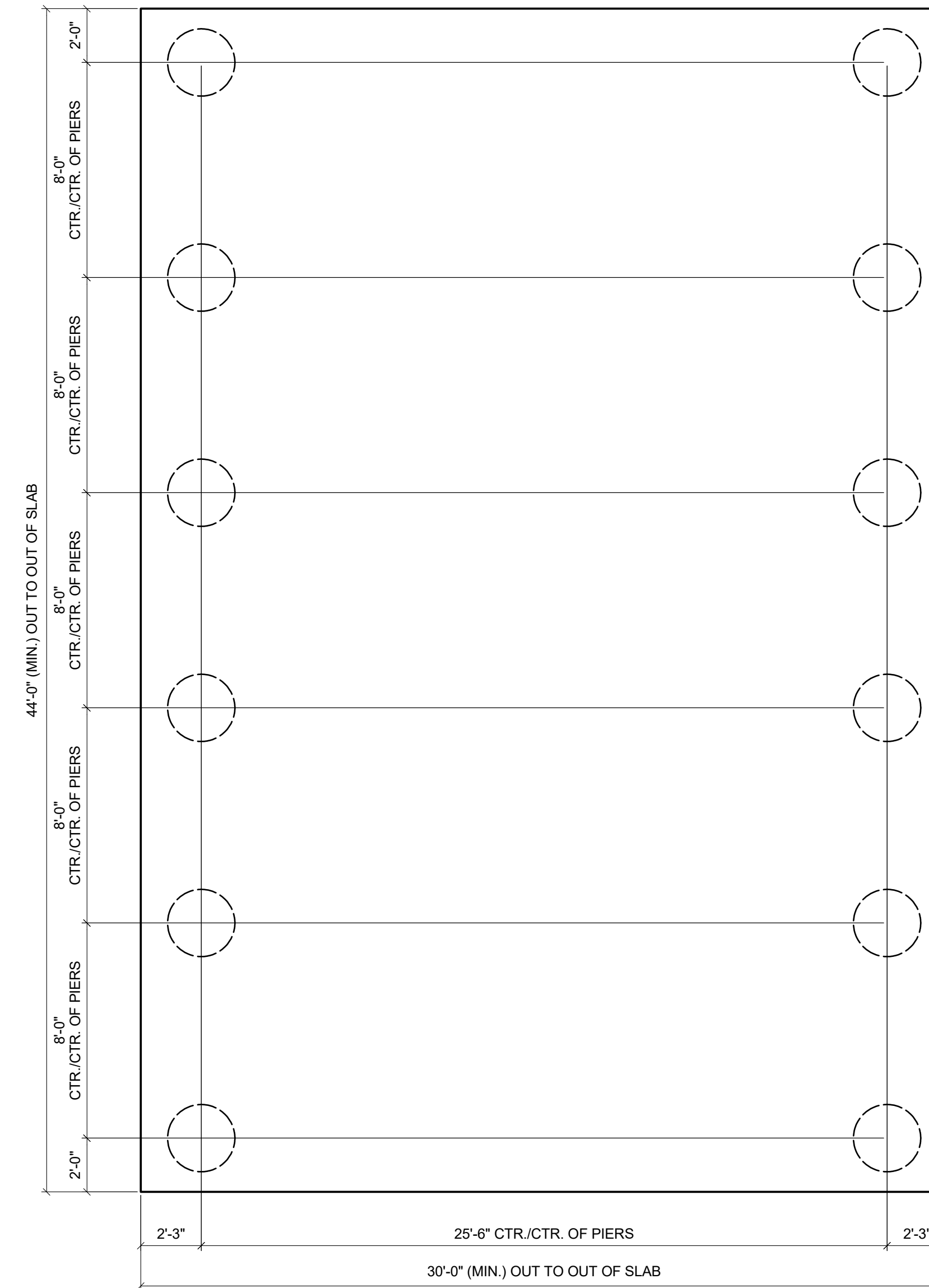
PRELIMINARY DRAWING - NOT FOR CONSTRUCTION

These drawings are preliminary in design and are subject to change pending final engineering. All member sizes, dimensions, quantities, and locations have the potential to be altered. Only use the final engineered drawings when performing the construction of this structure.



STEEL COLUMN PIER DETAIL

TYPICAL PIER DIAMETER IS BETWEEN 2'-0" AND 3'-0"
 TYPICAL PIER DEPTH IS BETWEEN 3'-6" AND 5'-6"
 ACTUAL DESIGN WILL VARY DUE TO BUILDING CODE REQUIREMENTS AND MAY BE SUBSTANTIALLY LARGER.



COLUMN PIER LAYOUT PLAN
 SCALE: 1/4" = 1'-0"

LW-G3044-03

RCP SHELTERS, INC.

- 2100 SE RAYS WAY STUART, FL 34994 PO BOX 25 STUART, FL 34995-0025
- SHELTERS
 - PAVILIONS
 - CONCESSIONS
 - KIOSKS
 - FABRIC SHADE
 - RESTROOMS
 - BANDSHELLS
 - MINI-SHELTERS
 - DUGOUTS
 - FABRIC SAIL
- Phone 800-525-0207 Fax 772-288-0207
- www.rcpselters.com Email info@rcpselters.com



PROJ. NO.:	
DRAWN:	JCS 11/14/2019
CHKD:	
REV 1:	
REV 2:	
REV 3:	
REV 4:	
SHOP NO.:	LW-G3044-03
EEC JOB NO.:	
SHEET NO.:	

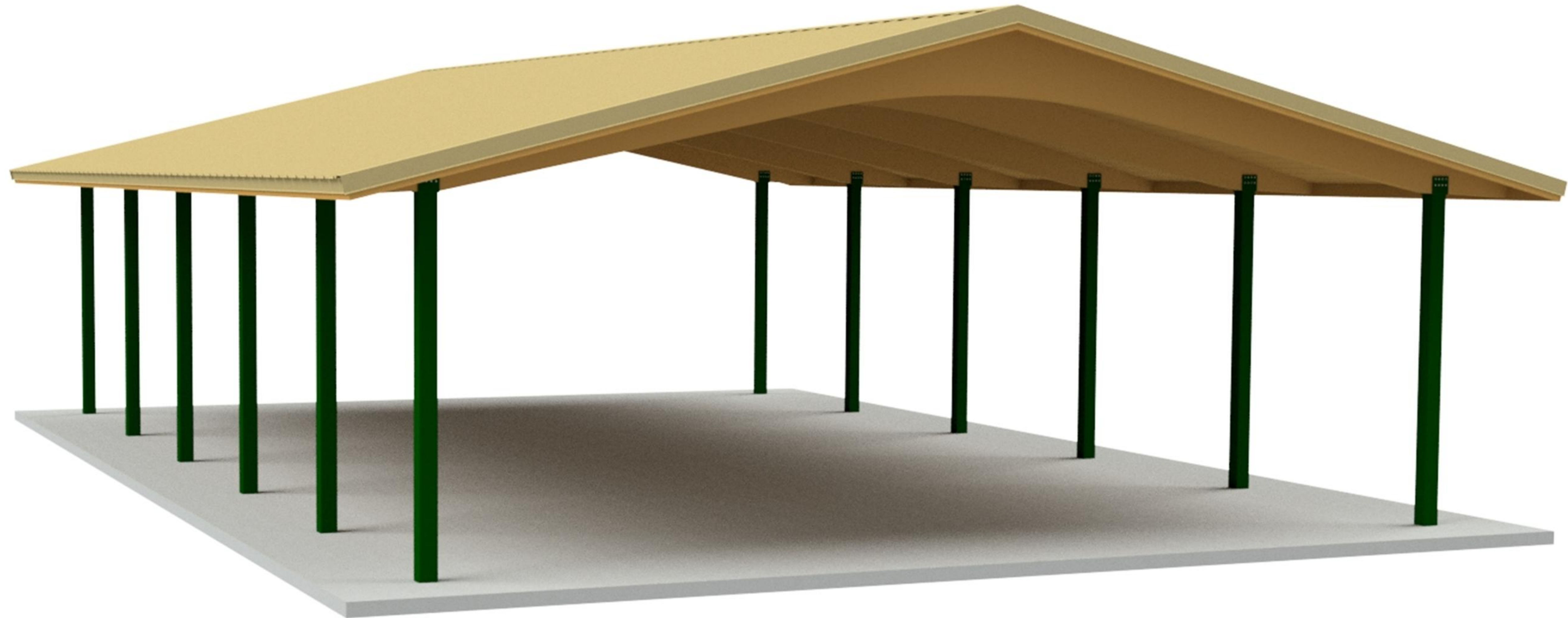
PRELIMINARY DRAWING - NOT FOR CONSTRUCTION

These drawings are preliminary in design and are subject to change pending final engineering. All member sizes, dimensions, quantities, and locations have the potential to be altered. Only use the final engineered drawings when performing the construction of this structure.

STEEL COLUMN COLOR: EVERGREEN
 METAL ROOFING COLOR: SURREY BEIGE

THIS PRINT IS THE PROPERTY OF RCP SHELTERS AND IS NOT TO BE USED, COPIED, OR REPRODUCED WITHOUT THEIR EXPRESSED WRITTEN PERMISSION.

LW-G3044-03



RCP SHELTERS, INC.

2100 SE RAYS WAY STUART, FL 34994 PO BOX 25 STUART, FL 34995-0025

- SHELTERS
- RESTROOMS
- PAVILIONS
- BANDSHELLS
- CONCESSIONS
- MINI-SHELTERS
- KIOSKS
- DUGOUTS
- FABRIC SHADE
- FABRIC SAIL

Phone 800-525-0207
 www.rcpselters.com

Fax 772-288-0207
 Email info@rcpselters.com



PROJ. NO.:	
DRAWN:	JCS 11/14/2019
CHKD:	
REV 1:	
REV 2:	
REV 3:	
REV 4:	
SHOP NO.:	LW-G3044-03
EEC JOB NO.:	
SHEET NO.:	

PRELIMINARY DRAWING - NOT FOR CONSTRUCTION

These drawings are preliminary in design and are subject to change pending final engineering. All member sizes, dimensions, quantities, and locations have the potential to be altered. Only use the final engineered drawings when performing the construction of this structure.

APP A