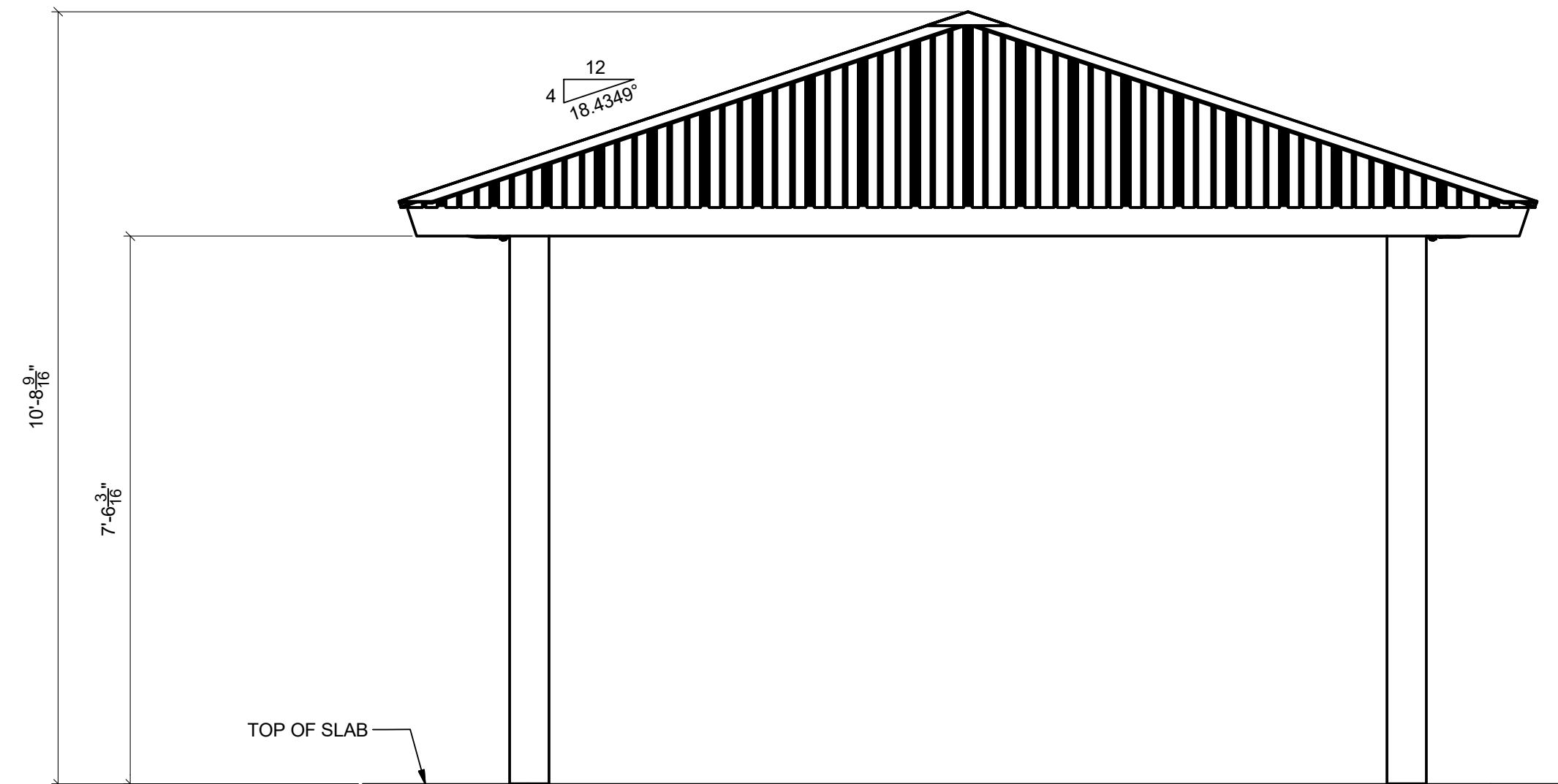
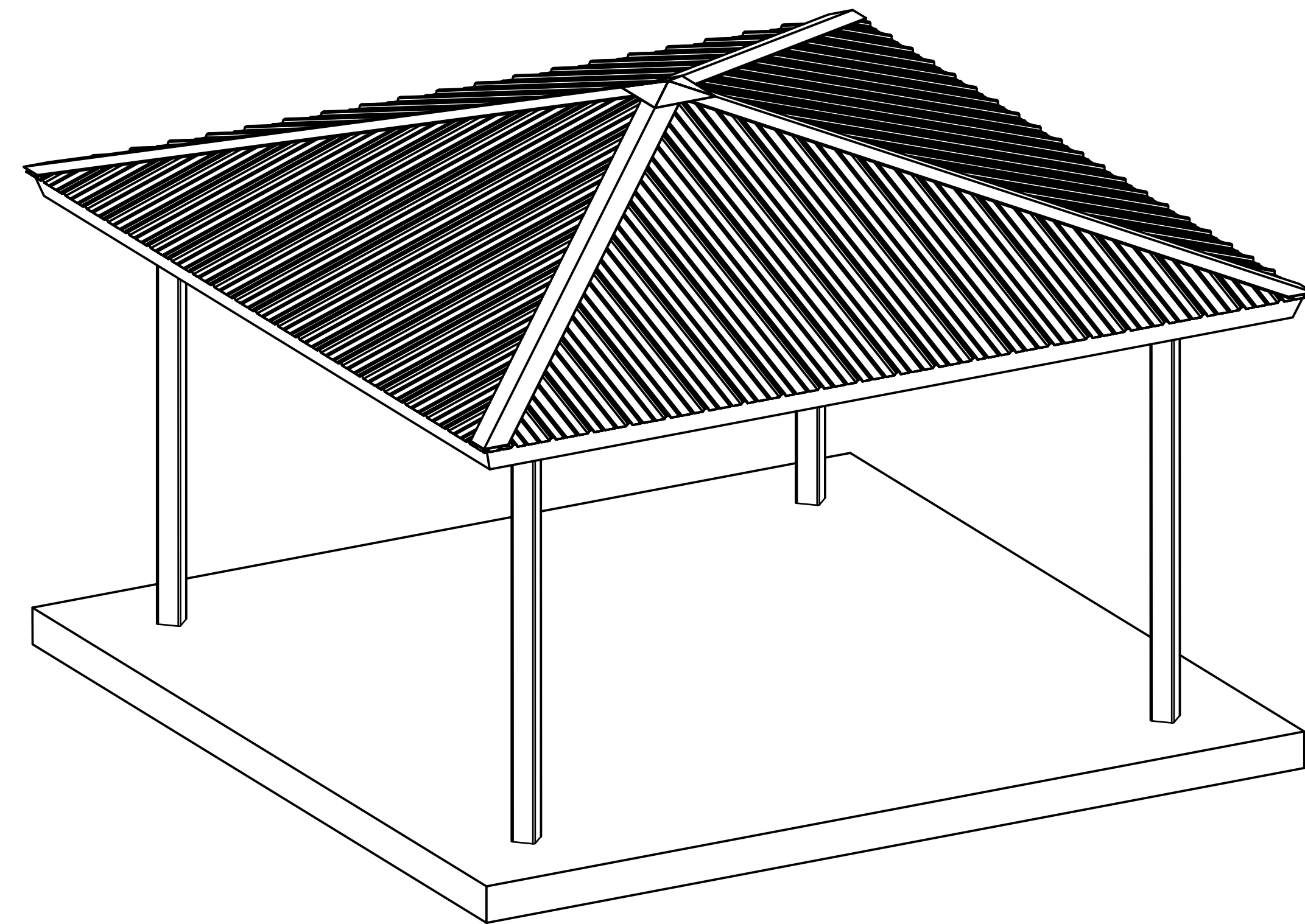


PLAN VIEW



FRONT ELEVATION



AUXILIARY VIEW

**PRELIMINARY DRAWING - NOT FOR CONSTRUCTION**

These drawings are preliminary in design and are subject to change pending final engineering. All member sizes, dimensions, quantities, and locations have the potential to be altered. Only use the final engineered drawings when performing the construction of this structure.

LW-SQ16-04-M

**RCP SHELTERS, INC.**

2100 SE RAYS WAY STUART, FL 34994 PO BOX 25 STUART, FL 34995-0025

- SHELTERS ■ PAVILIONS ■ CONCESSIONS ■ KIOSKS ■ FABRIC SHADE
  - RESTROOMS ■ BANDSHELLS ■ MINI-SHELTERS ■ DUGOUTS ■ FABRIC SAIL
- Phone 800-525-0207 Fax 772-288-0207  
 www.rcpselters.com Email info@rcpselters.com



PROJ. NO.:

DRAWN: JCS 8/6/2019

CHKD:

REV 1:

REV 2:

REV 3:

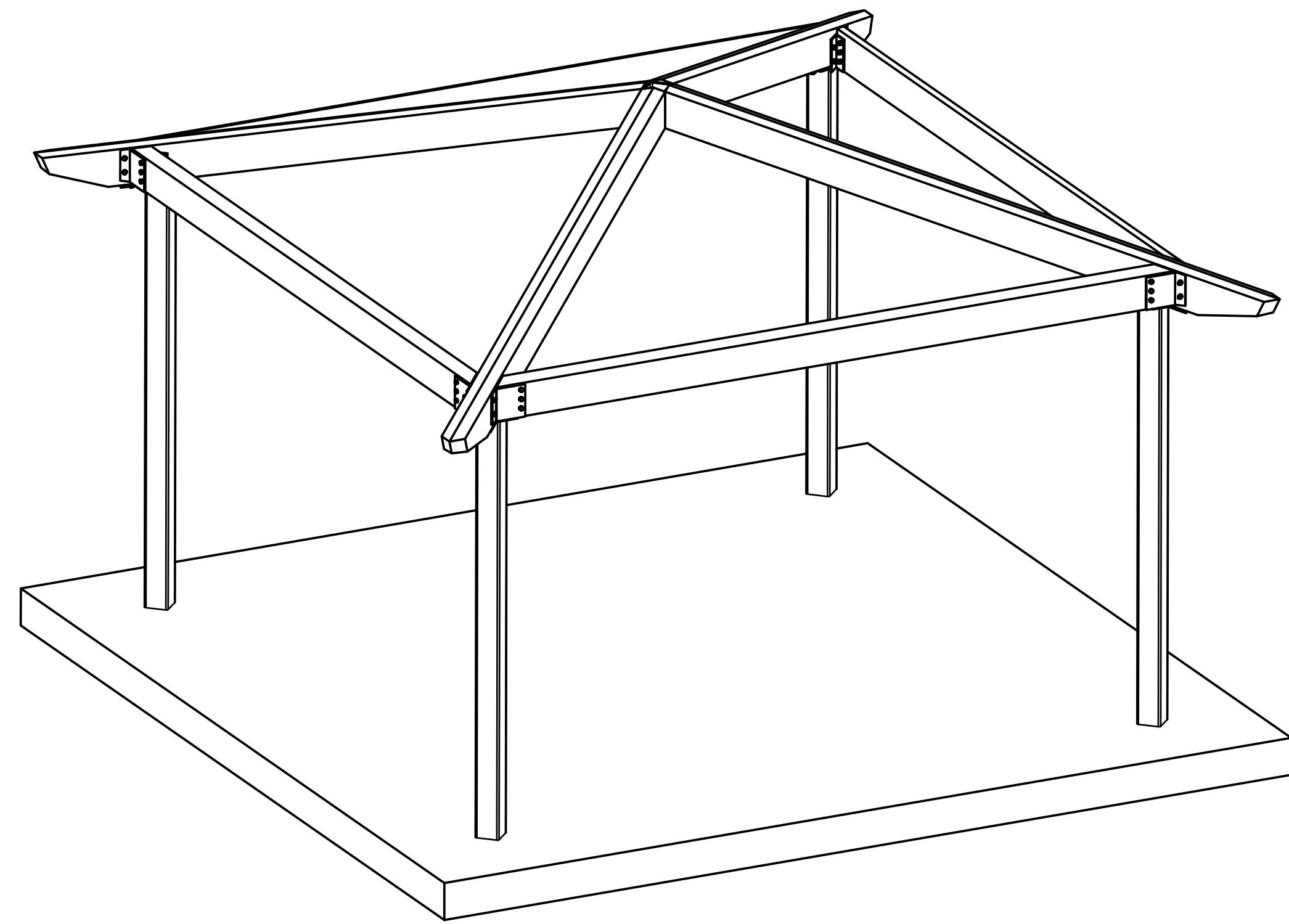
REV 4:

SHOP NO.: LW-SQ16-04-M

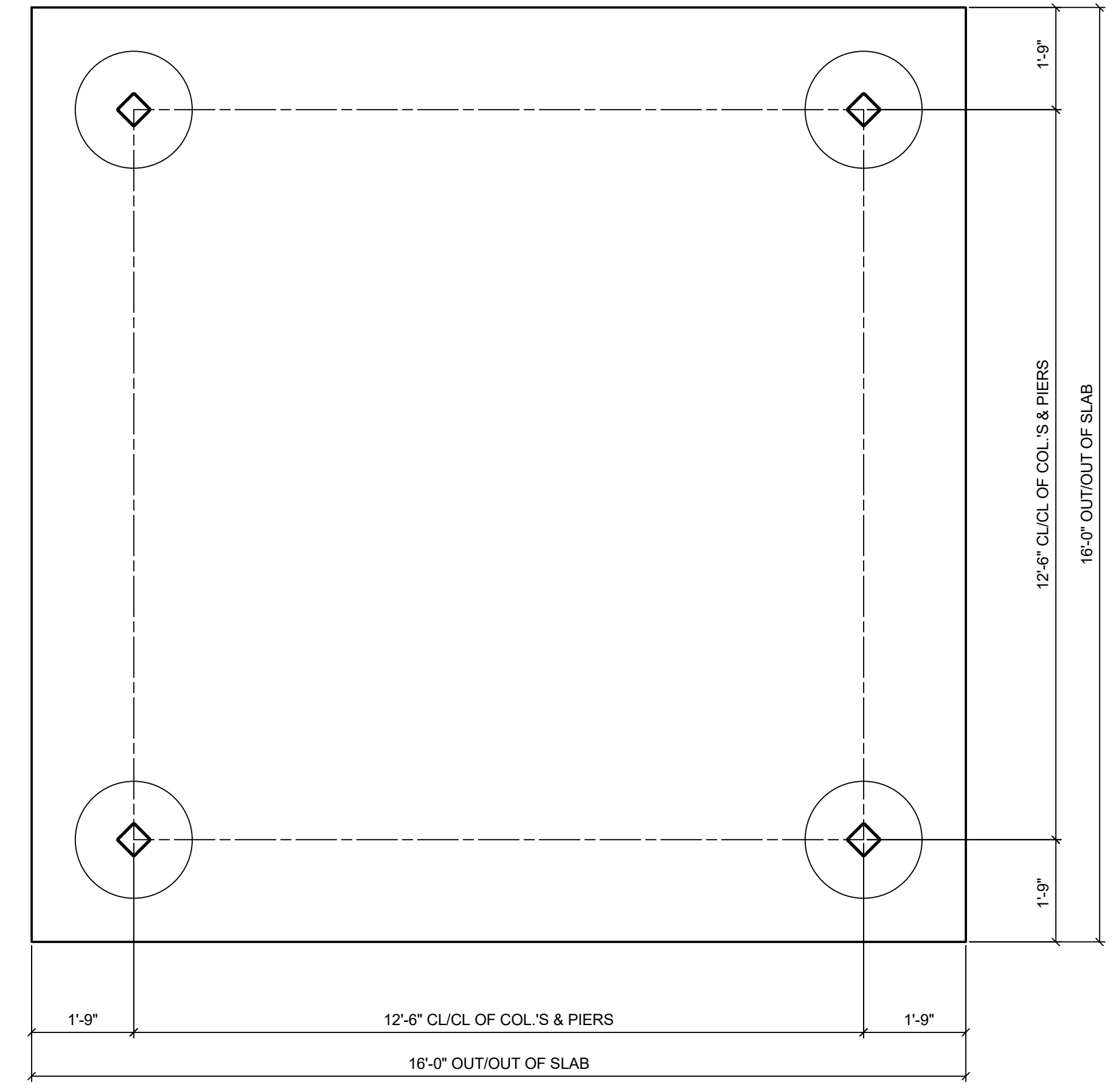
EEC JOB NO.:

SHEET NO.:

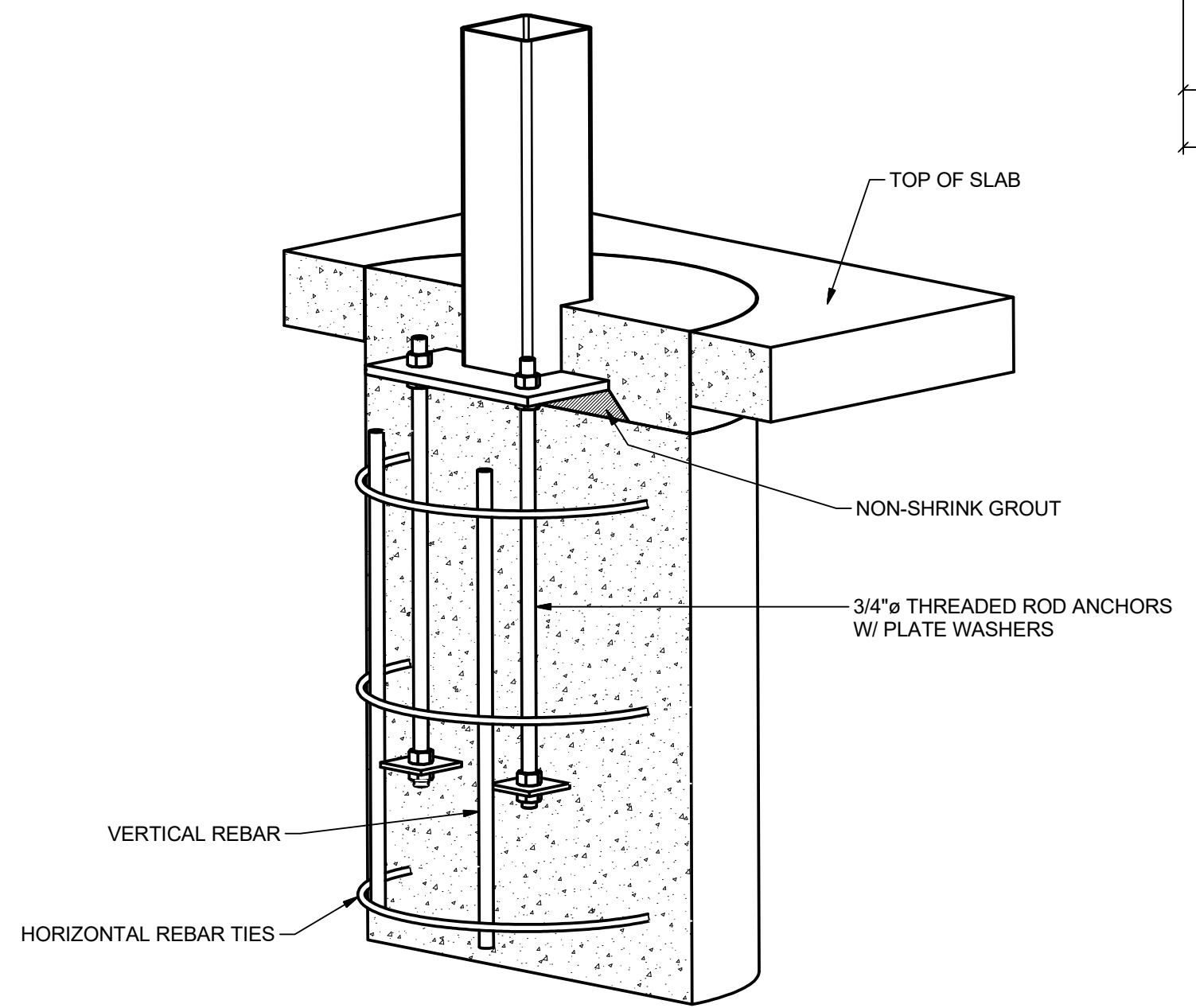
THIS PRINT IS THE PROPERTY OF RCP SHELTERS AND IS NOT TO BE USED, COPIED, OR REPRODUCED WITHOUT THEIR EXPRESSED WRITTEN PERMISSION.



AUXILIARY FRAMING VIEW



FOUNDATION PLAN



COLUMN PIER DETAIL

TYPICAL PIER DIAMETER IS BETWEEN 2'-0" AND 3'-0"±  
 TYPICAL PIER DEPTH IS BETWEEN 3'-6" AND 5'-6"±  
 ACTUAL DESIGN WILL VARY DUE TO BUILDING CODE REQUIREMENTS AND MAY BE SUBSTANTIALLY LARGER.

LW-SQ16-04-M

RCP SHELTERS, INC.

- 2100 SE RAYS WAY STUART, FL 34994 PO BOX 25 STUART, FL 34995-0025
- SHELTERS
  - PAVILIONS
  - CONCESSIONS
  - KIOSKS
  - FABRIC SHADE
  - RESTROOMS
  - BANDSHELLS
  - MINI-SHELTERS
  - DUGOUTS
  - FABRIC SAIL
- Phone 800-525-0207 Fax 772-288-0207
- www.rcpselters.com Email info@rcpselters.com



PROJ. NO.:	
DRAWN: JCS	8/6/2019
CHKD:	
REV 1:	
REV 2:	
REV 3:	
REV 4:	
SHOP NO.:	LW-SQ16-04-M
EEC JOB NO.:	
SHEET NO.:	

**PRELIMINARY DRAWING - NOT FOR CONSTRUCTION**

These drawings are preliminary in design and are subject to change pending final engineering. All member sizes, dimensions, quantities, and locations have the potential to be altered. Only use the final engineered drawings when performing the construction of this structure.



ROOFING COLOR: ROMAN BLUE  
 POWDER COAT COLOR: BLACK SATIN

THIS PRINT IS THE PROPERTY OF RCP SHELTERS AND IS NOT TO BE USED, COPIED, OR REPRODUCED WITHOUT THEIR EXPRESSED WRITTEN PERMISSION.

LW-SQ16-04-M

RCP SHELTERS, INC.

- 2100 SE RAYS WAY STUART, FL 34994 PO BOX 25 STUART, FL 34995-0025
- SHELTERS
  - PAVILIONS
  - CONCESSIONS
  - KIOSKS
  - FABRIC SHADE
  - RESTROOMS
  - BANDSHELLS
  - MINI-SHELTERS
  - DUGOUTS
  - FABRIC SAIL
- Phone 800-525-0207 Fax 772-288-0207
- www.rcpselters.com Email info@rcpselters.com



PROJ. NO.:	
DRAWN:	JCS 8/6/2019
CHKD:	
REV 1:	
REV 2:	
REV 3:	
REV 4:	
SHOP NO.:	LW-SQ16-04-M
EEC JOB NO.:	
SHEET NO.:	



**PRELIMINARY DRAWING - NOT FOR CONSTRUCTION**

These drawings are preliminary in design and are subject to change pending final engineering. All member sizes, dimensions, quantities, and locations have the potential to be altered. Only use the final engineered drawings when performing the construction of this structure.