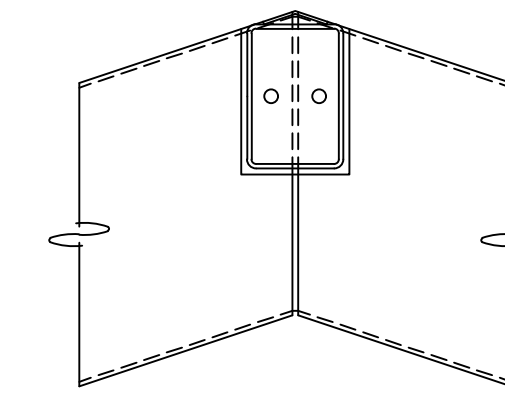
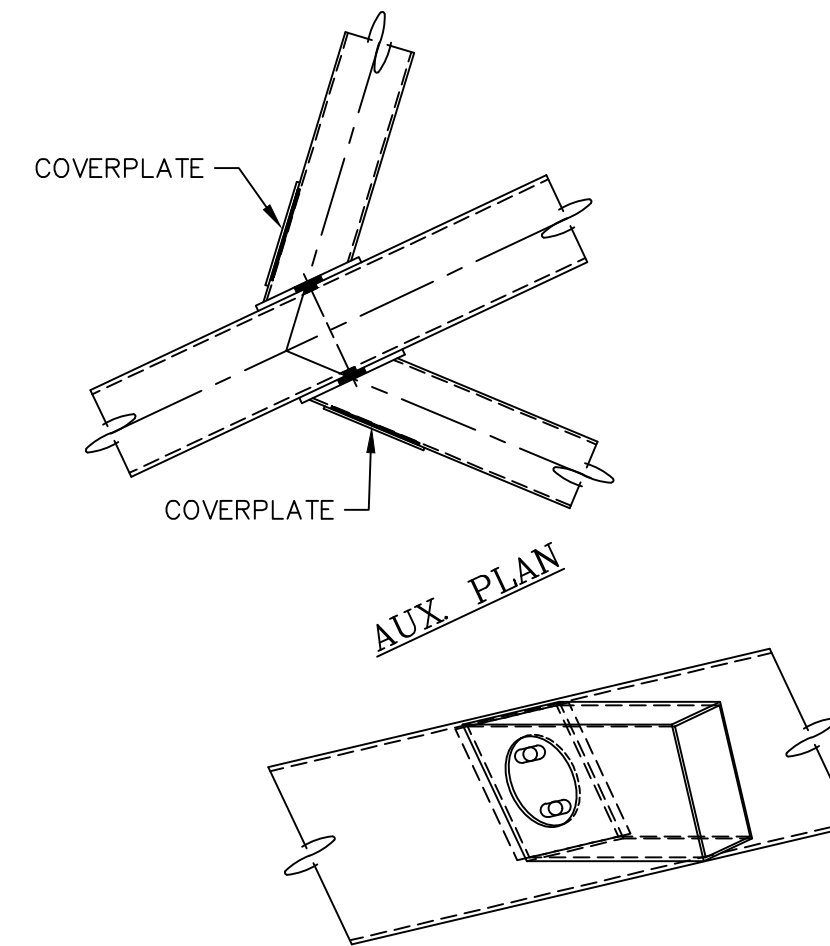
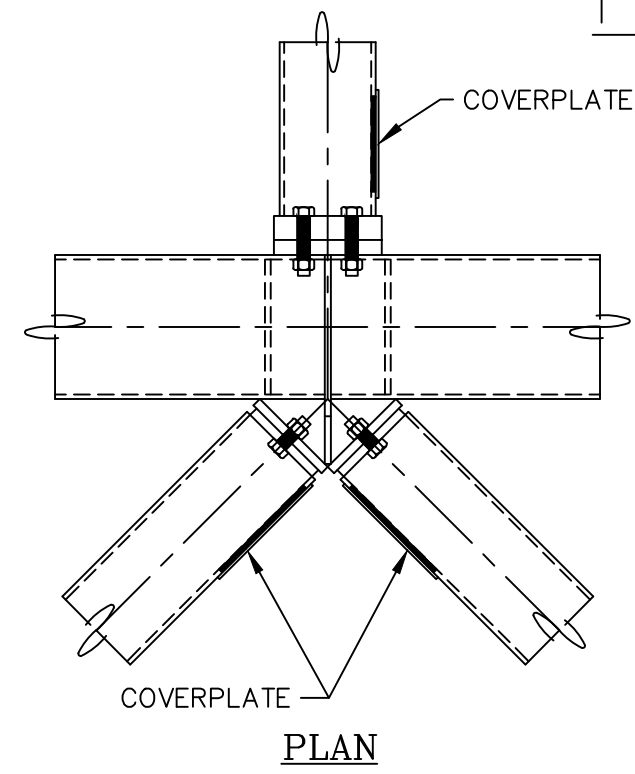
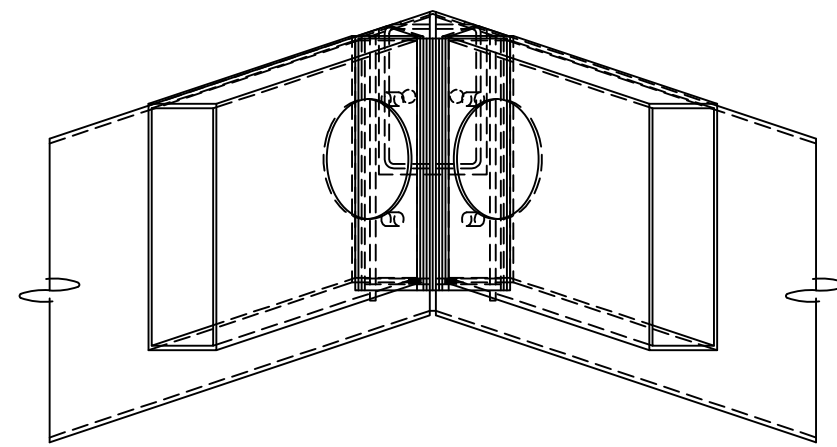


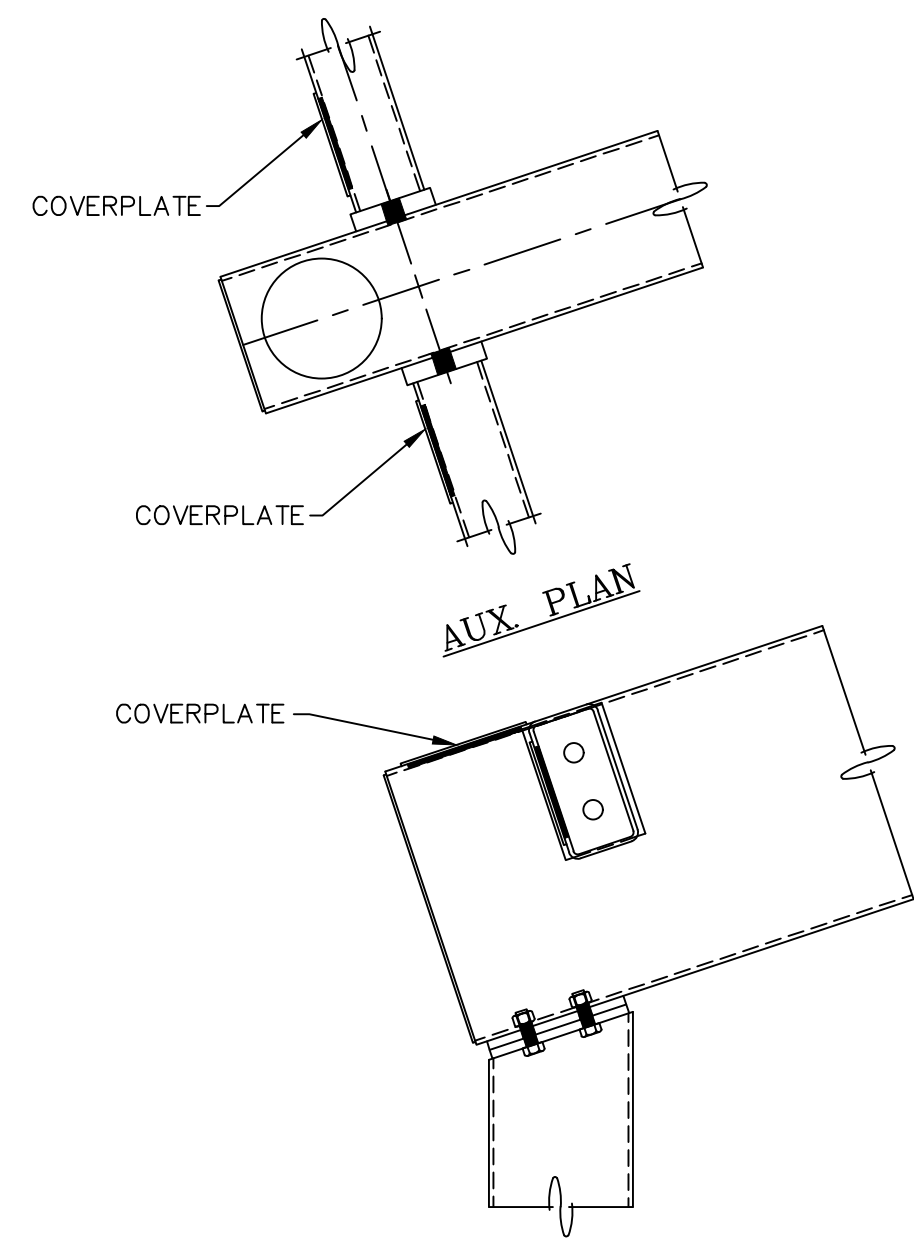
PRELIMINARY DRAWING – NOT FOR CONSTRUCTION



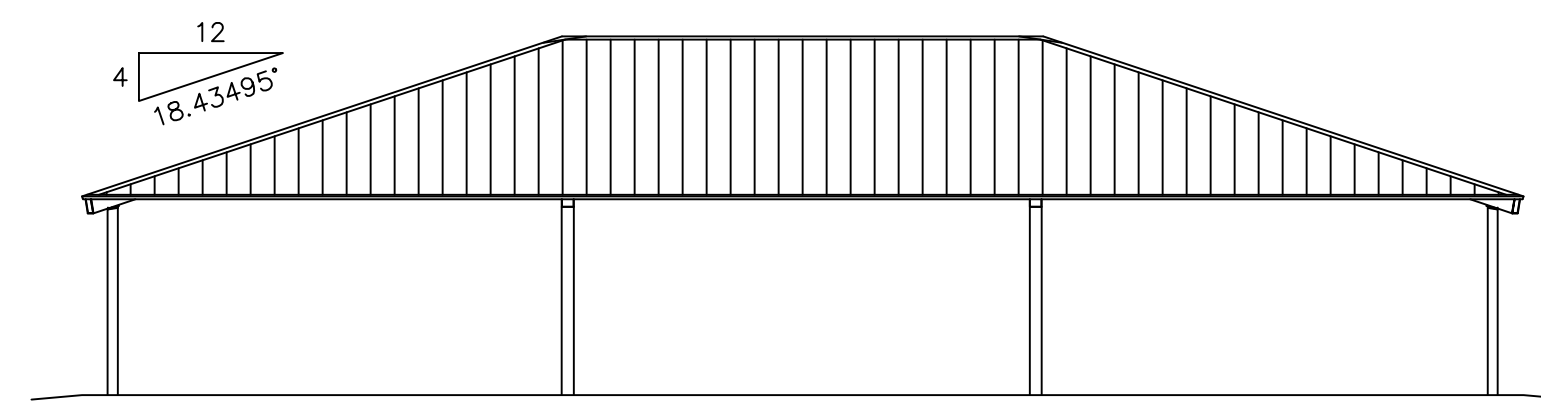
RIDGE PURLIN TO FRAME CONNECTION



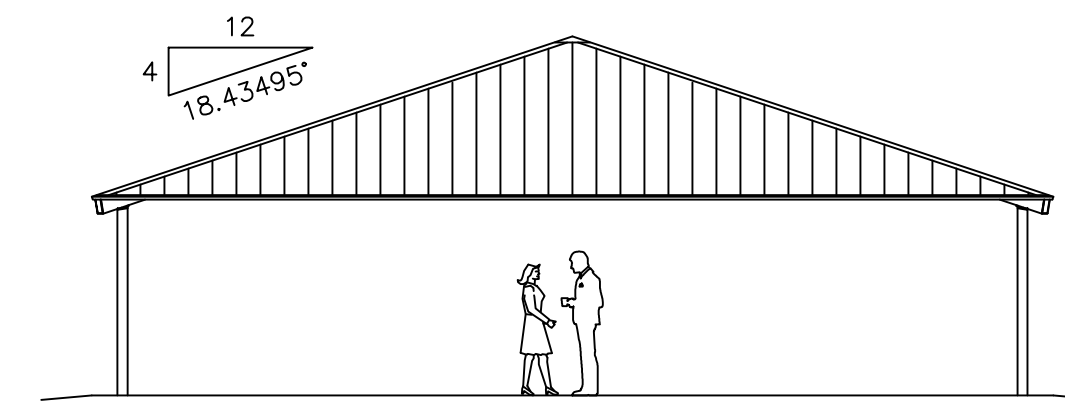
PURLIN TO HIP CONNECTION



HIP TO FRAME CONNECTION

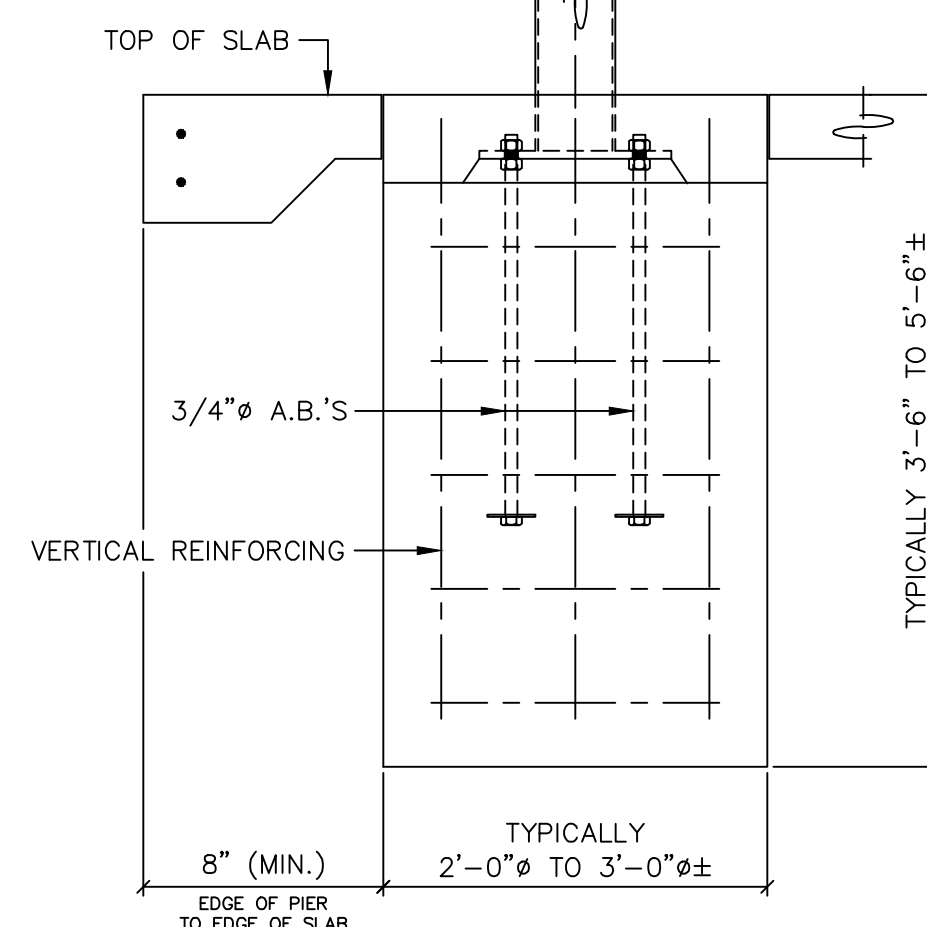
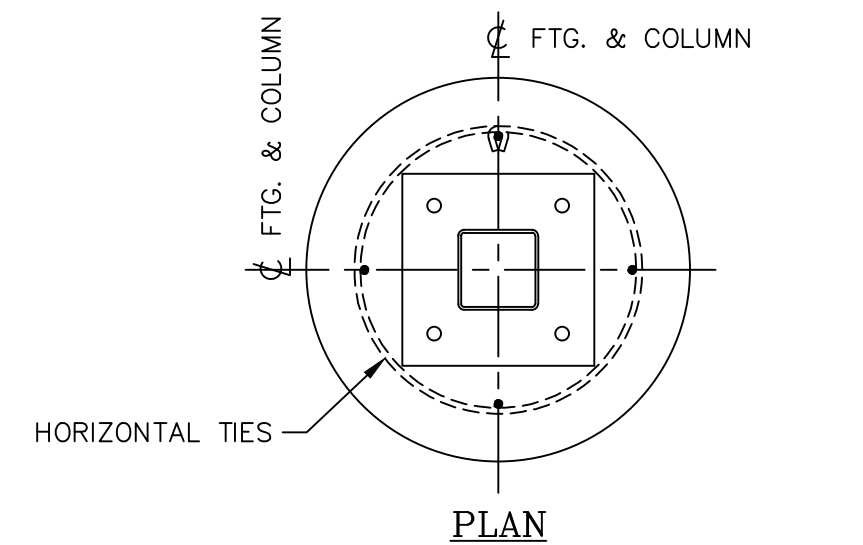


SIDE ELEVATION



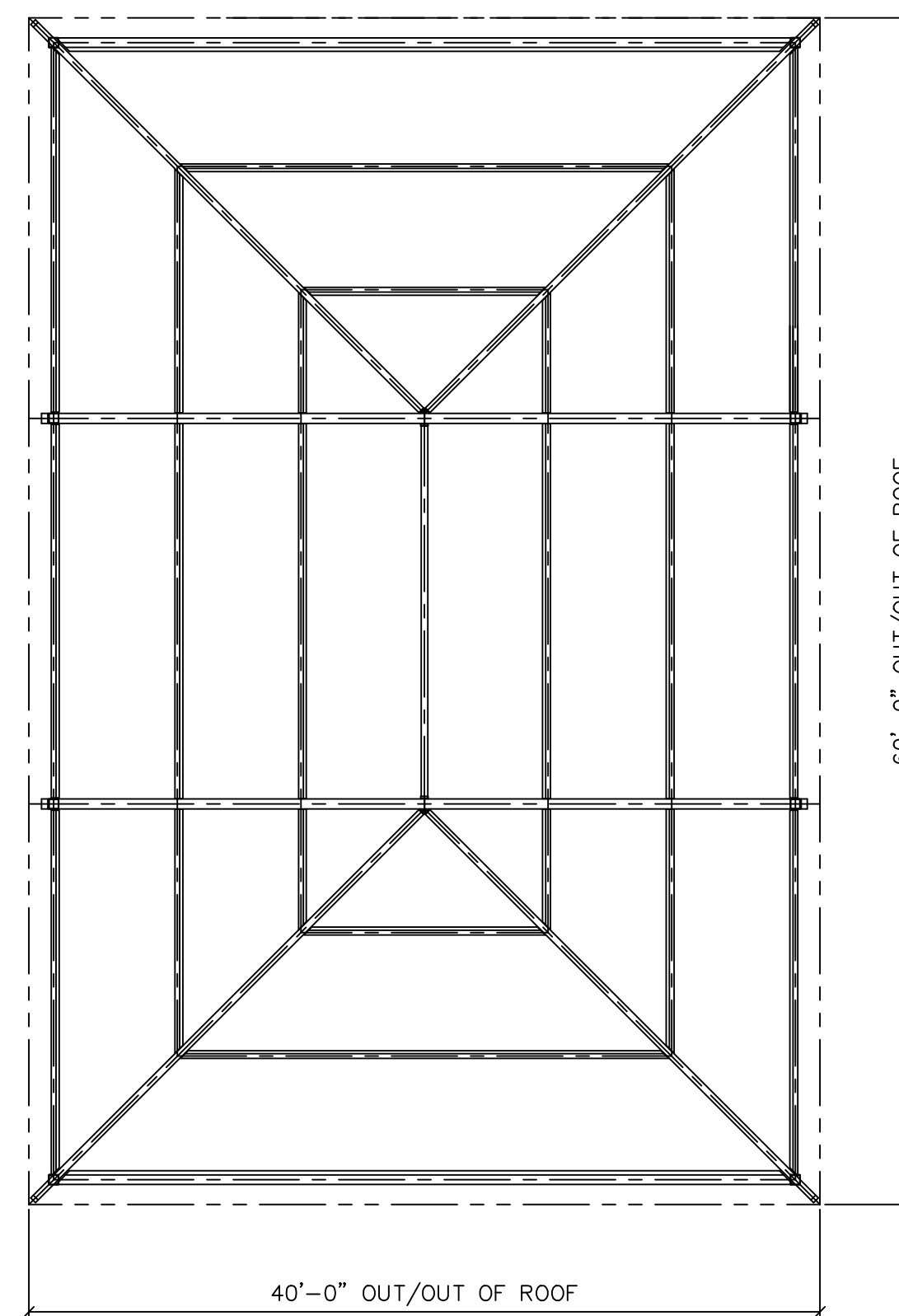
END ELEVATION

COLUMN TO FRAME CONNECTION

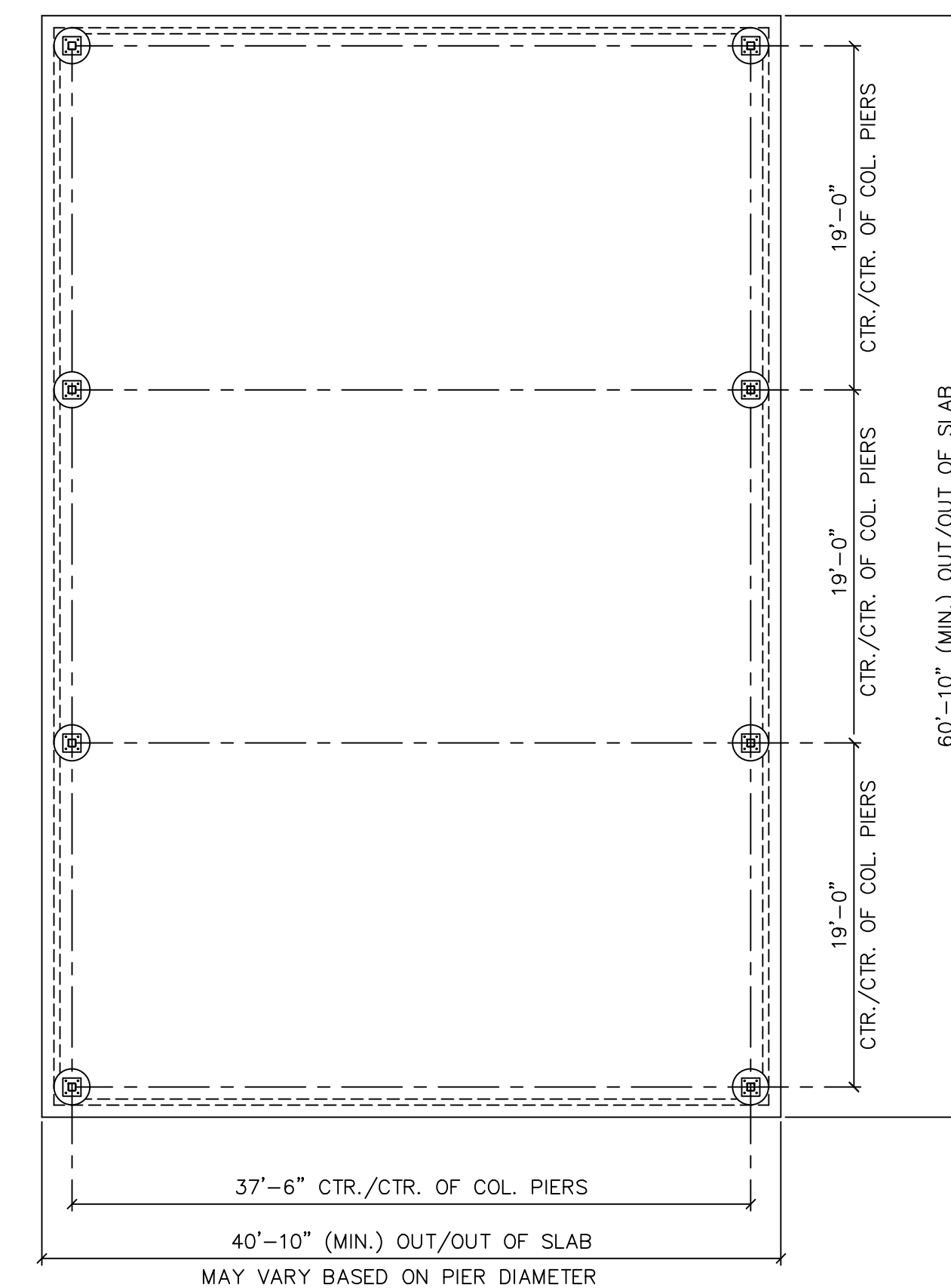


COLUMN PIER DETAIL

ACTUAL DESIGN WILL VARY DUE TO BUILDING CODE REQUIREMENTS AND MAY BE SUBSTANTIALLY LARGER



ROOF FRAMING PLAN



FOUNDATION PLAN

COLUMN TO HIP CONNECTION

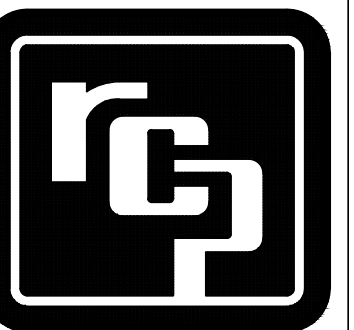
THIS PRINT IS THE PROPERTY OF RCP SHELTERS AND IS NOT TO BE USED, COPIED, OR REPRODUCED WITHOUT THEIR EXPRESSED WRITTEN PERMISSION.

TS-H4060-04

NUMBER OF PURLINS MAY VARY DEPENDING UPON DESIGN LOADS. SIZES AND SPACING OF PURLINS TO BE DETERMINED DURING FINAL DESIGN.

RCP SHELTERS, INC.

2100 SE RAYS WAY STUART, FL 34994 PO BOX 25 STUART, FL 34995-0025
 ■ SHELTERS ■ PAVILIONS ■ CONCESSIONS ■ KIOSKS ■ FABRIC SHADE
 ■ RESTROOMS ■ BANDSHELLS ■ MINI-SHELTERS ■ DUGOUTS ■ FABRIC SAIL
 Phone 800-525-0207 Fax 772-288-0207
 www.rcpselters.com Email info@rcpselters.com



PROJ. NO.:

DRAWN: DPP

CHK'D:

REV 1:

REV 2:

REV 3:

REV 4:

REV 5:

CAD NO.:

EEC JOB NO.:

SHEET NO.: