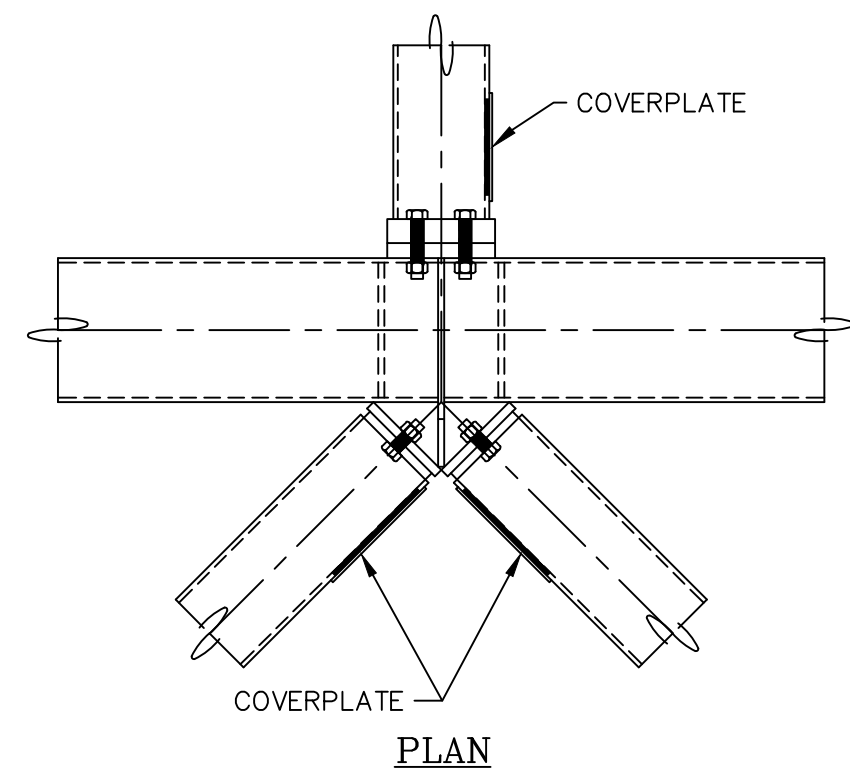
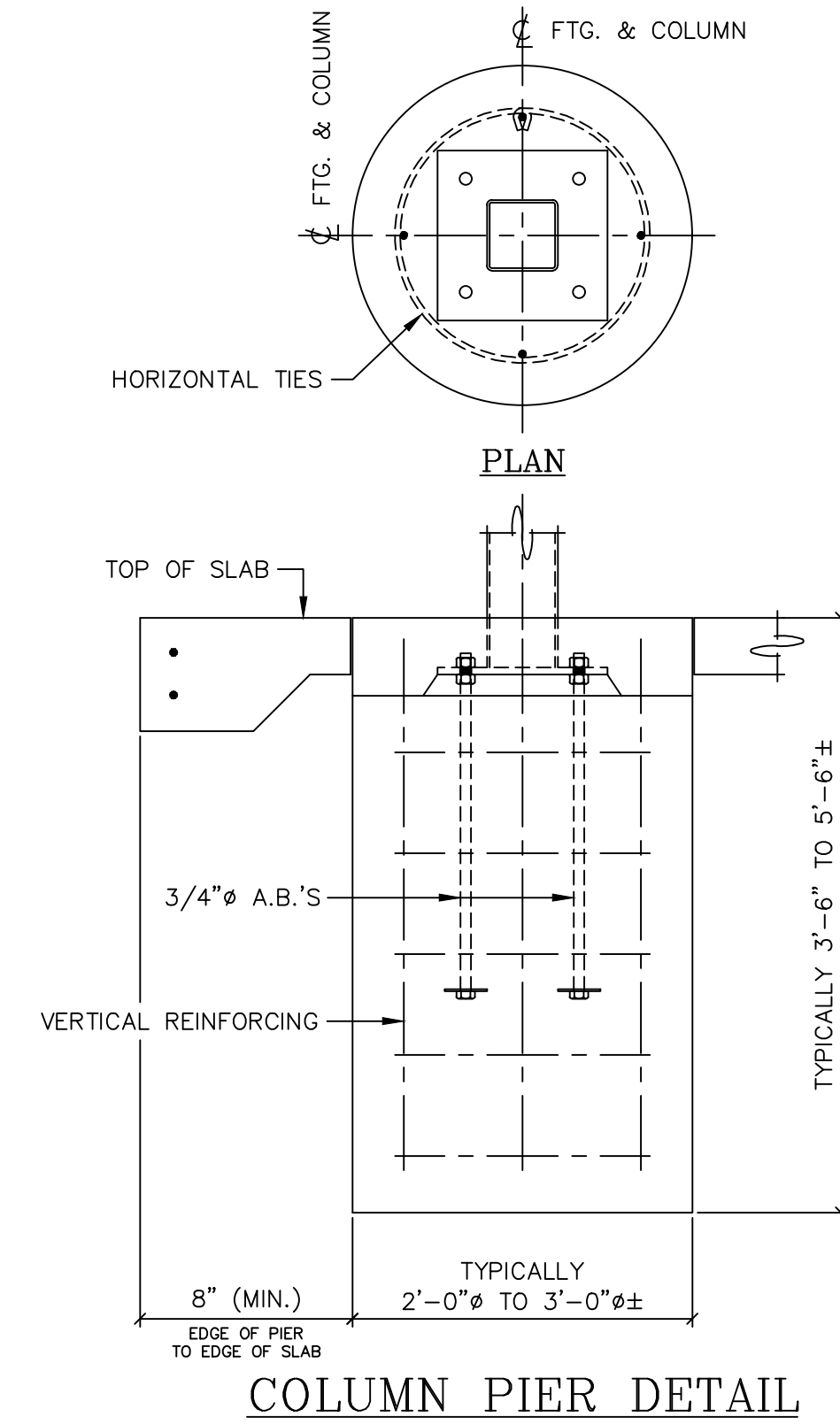


PRELIMINARY DRAWING – NOT FOR CONSTRUCTION

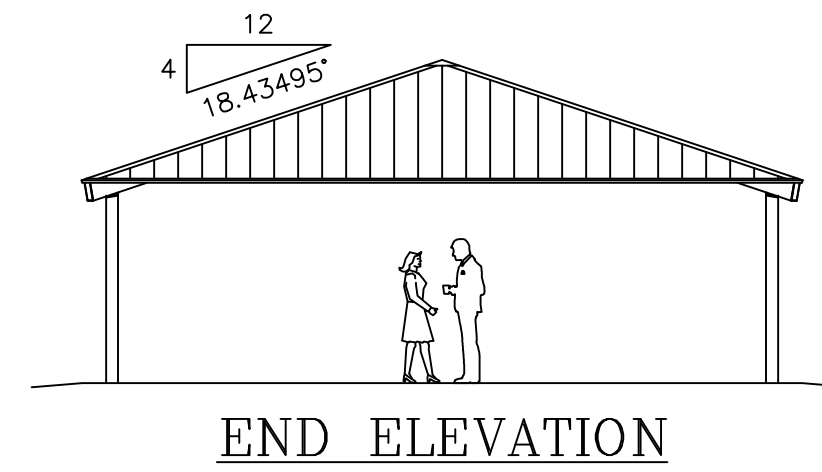


HIP TO FRAME CONNECTION

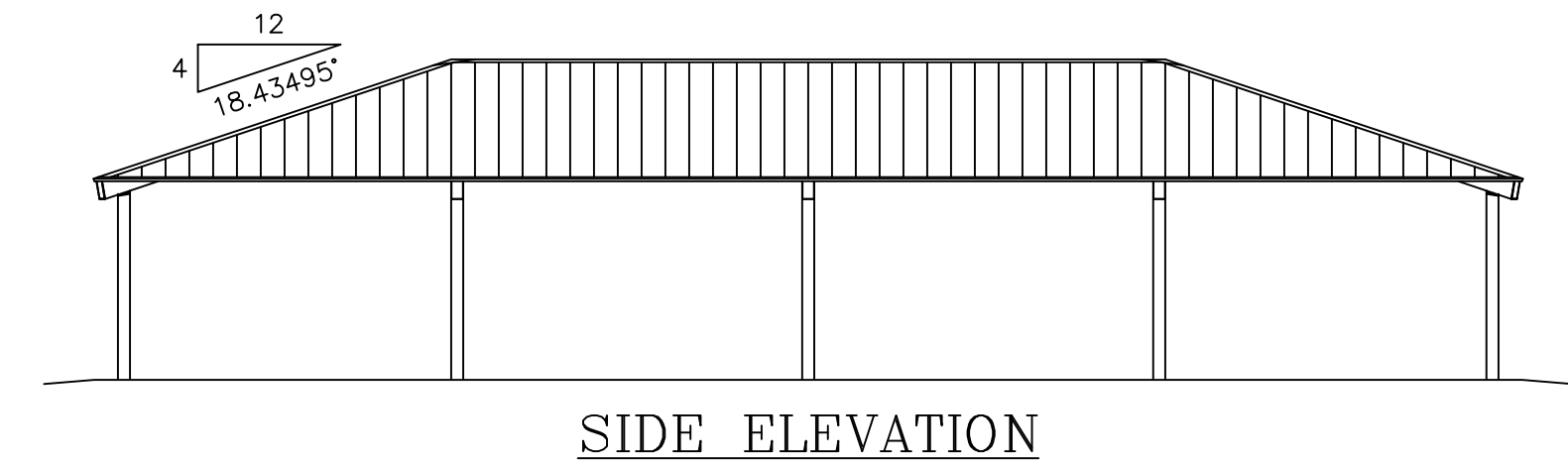


COLUMN PIER DETAIL

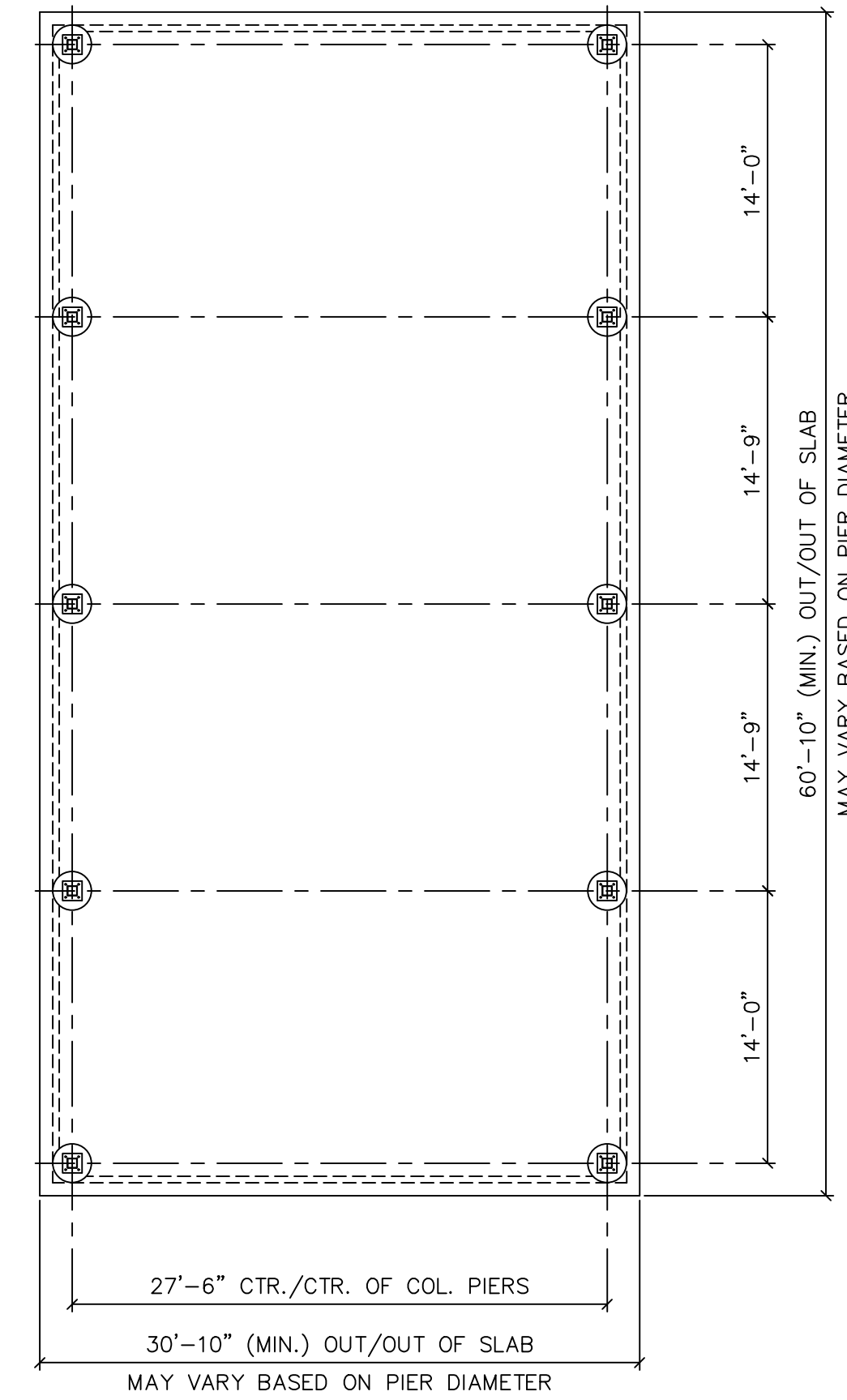
ACTUAL DESIGN WILL VARY DUE TO BUILDING CODE REQUIREMENTS AND MAY BE SUBSTANTIALLY LARGER



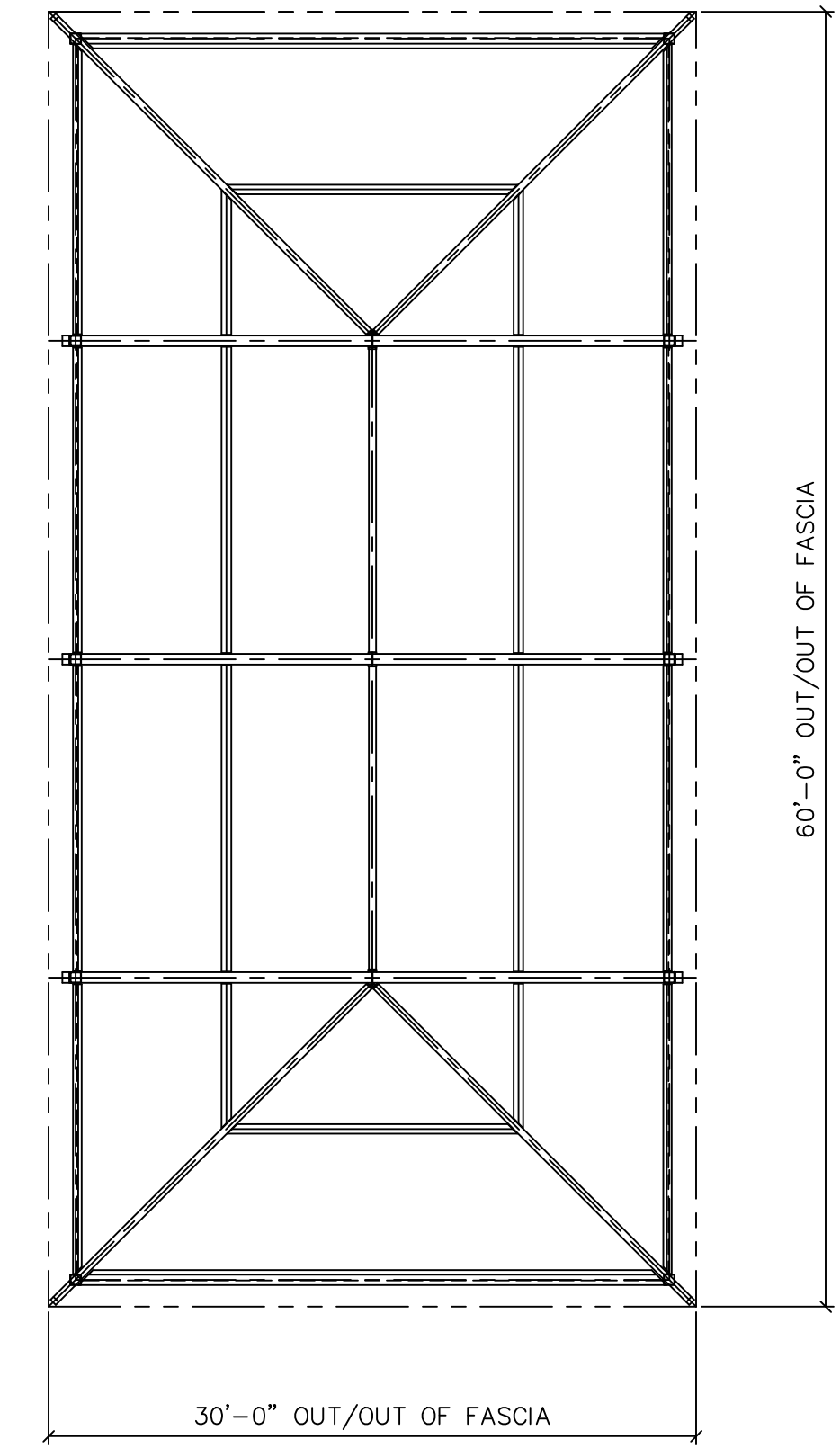
END ELEVATION



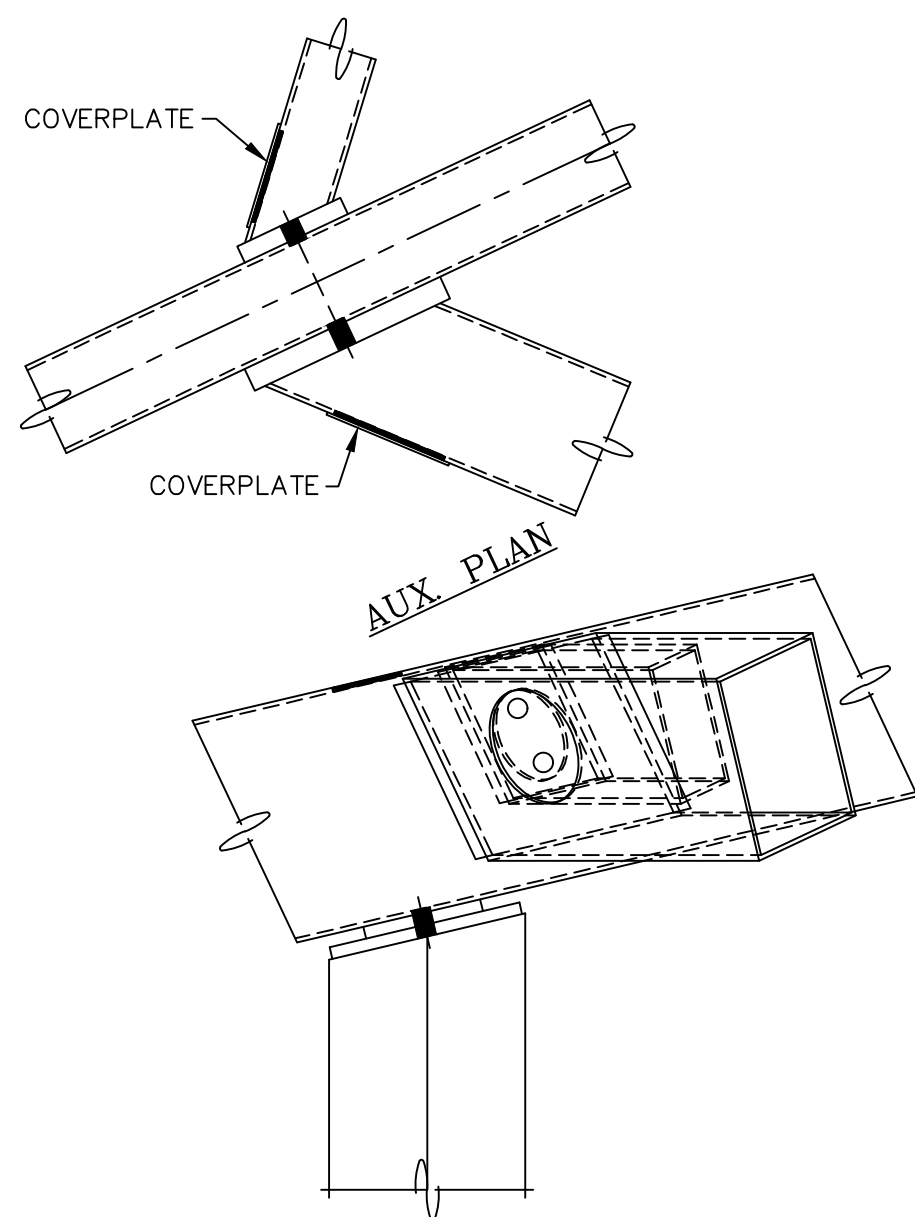
SIDE ELEVATION



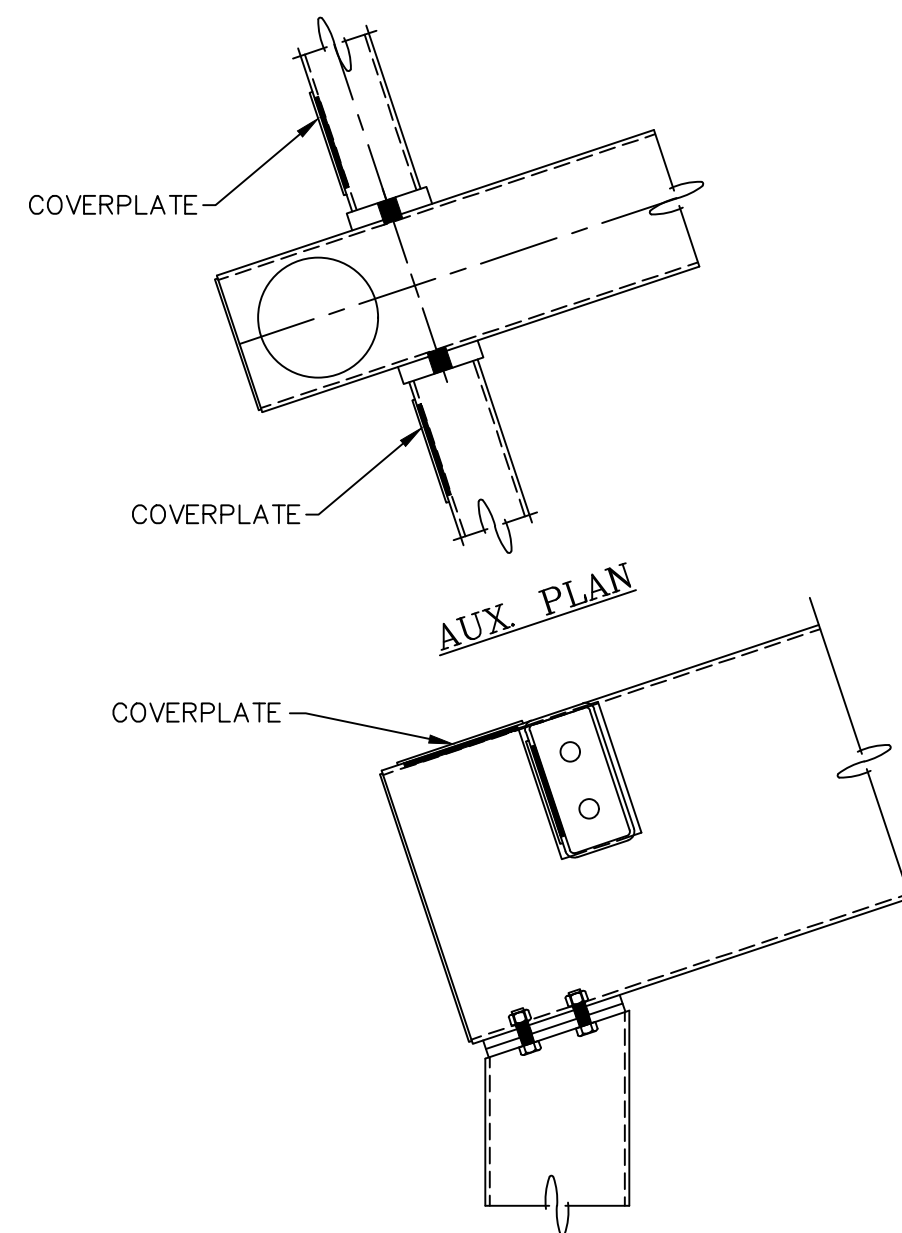
FOUNDATION PLAN



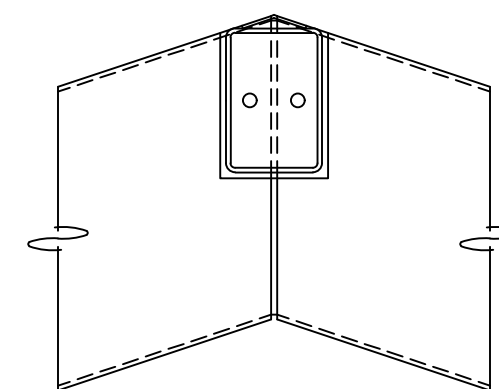
ROOF FRAMING PLAN



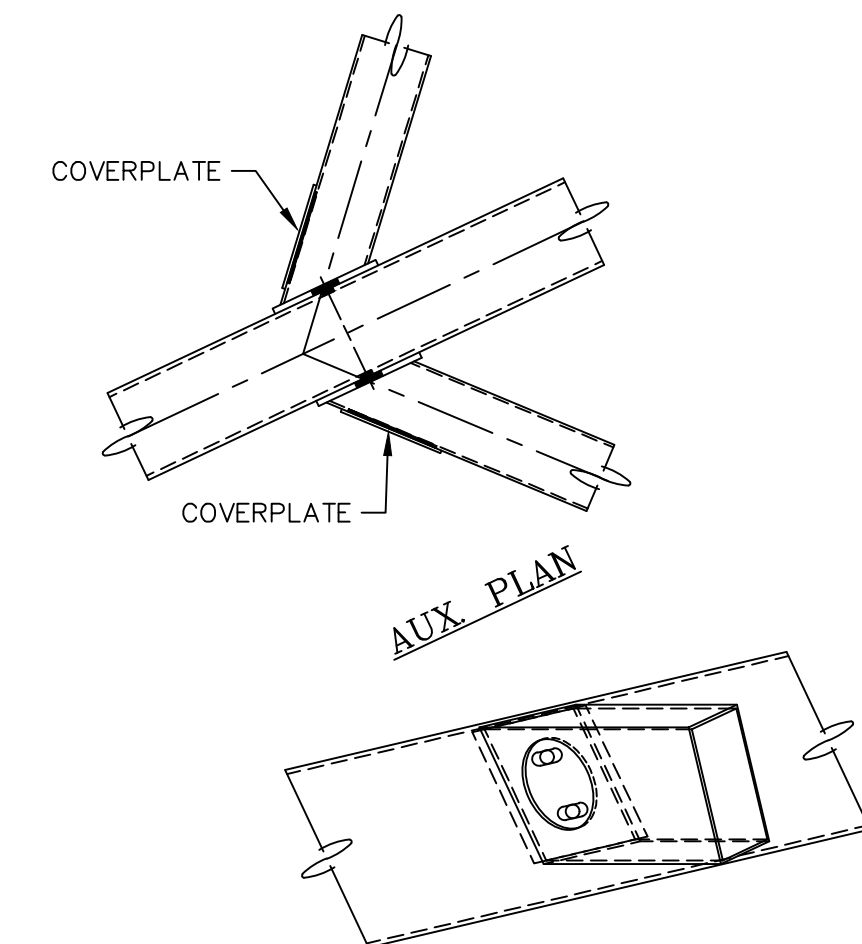
COLUMN TO HIP CONNECTION



COLUMN TO FRAME CONNECTION



RIDGE PURLIN TO FRAME CONNECTION

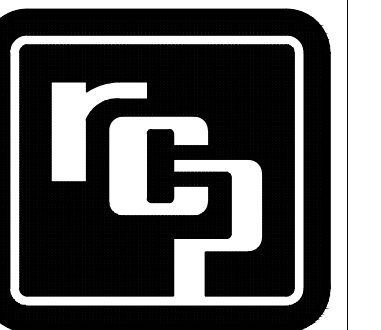


PURLIN TO HIP CONNECTION

THIS PRINT IS THE PROPERTY OF RCP SHELTERS AND IS NOT TO BE USED, COPIED, OR REPRODUCED WITHOUT THEIR EXPRESSED WRITTEN PERMISSION.

TS-H3060-04

RCP SHELTERS, INC.
 2100 SE RAYS WAY STUART, FL 34994 PO BOX 25 STUART, FL 34995-0025
 ■ SHELTERS ■ PAVILIONS ■ CONCESSIONS ■ KIOSKS ■ FABRIC SHADE ■ RESTROOMS ■ BANDSHELLS ■ MINI-SHELTERS ■ DUGOUTS ■ FABRIC SAIL
 Phone 800-525-0207 Fax 772-288-0207
 www.rcpselters.com Email info@rcpselters.com



PROJ. NO.:
 DRAWN: DPP 2-27-08
 CHK'D: JLD
 REV 1:
 REV 2: DPP
 REV 3:
 REV 4:
 REV 5:
 CAD NO.:
 EEC JOB NO.: 6832 R
 SHEET NO.:

1X OF 1X

NUMBER OF PURLINS MAY VARY DEPENDING UPON DESIGN LOADS. SIZES AND SPACING OF PURLINS TO BE DETERMINED DURING FINAL DESIGN.