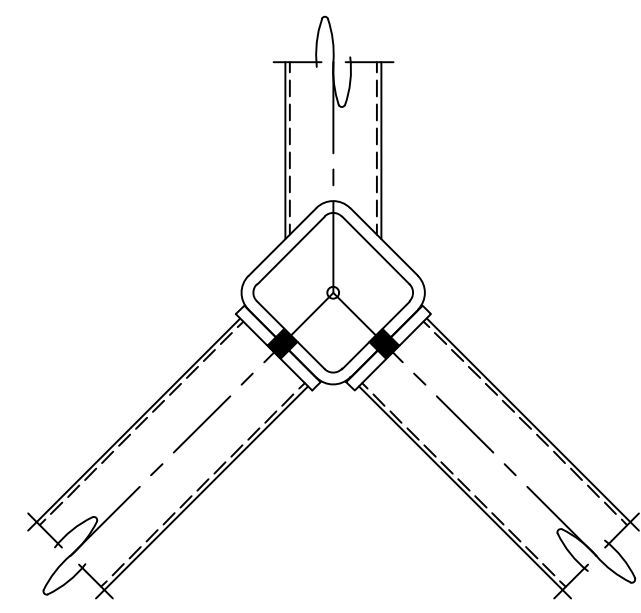
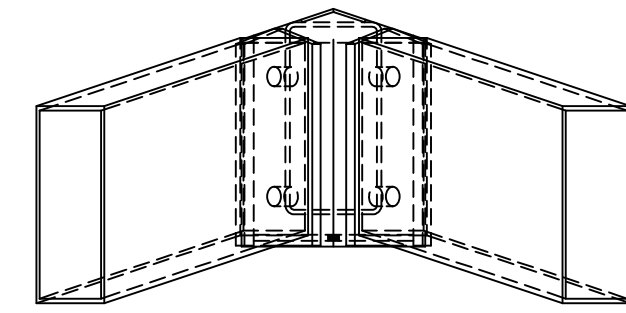


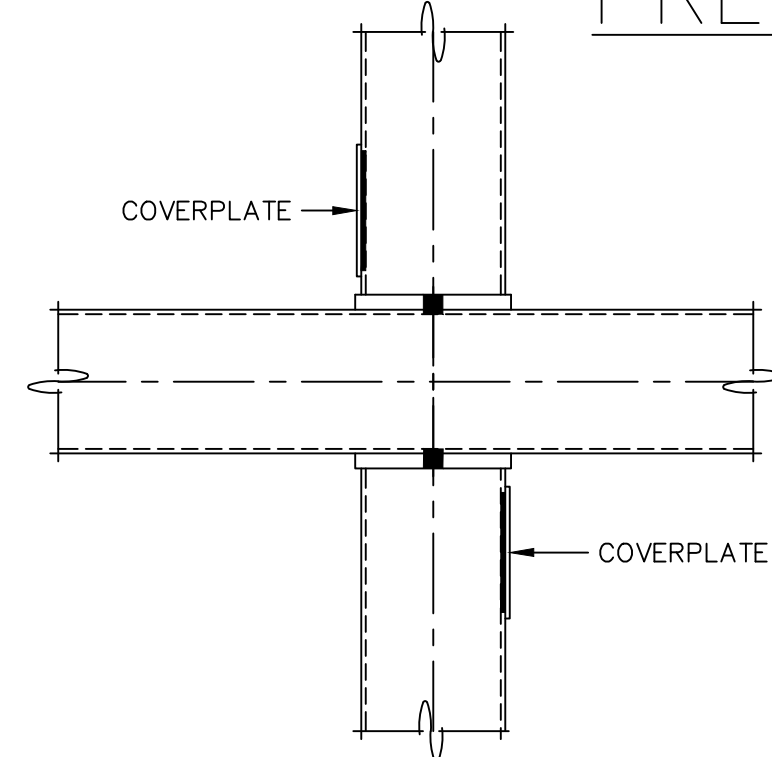
PRELIMINARY DRAWING – NOT FOR CONSTRUCTION



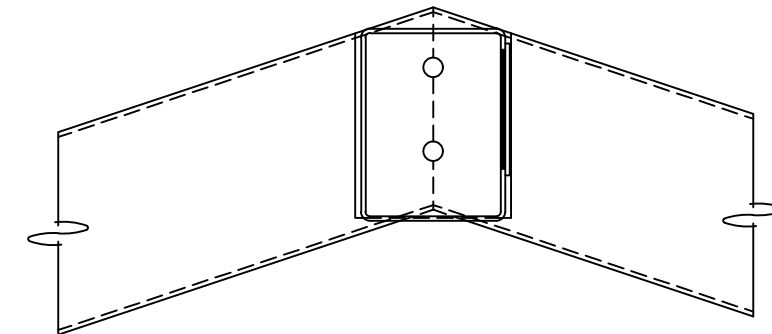
PLAN



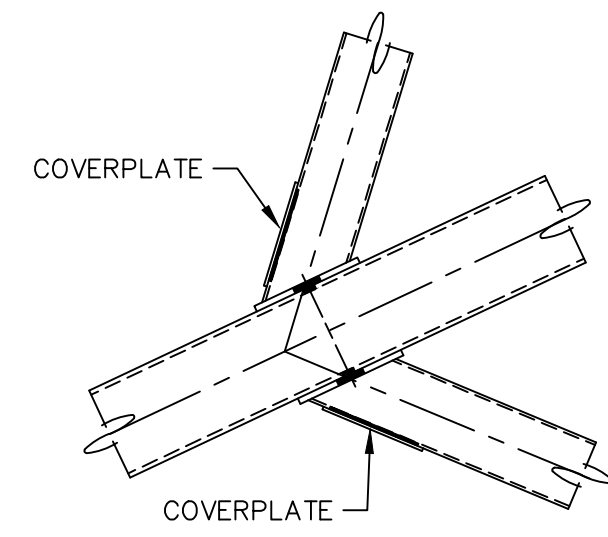
HIP TO RIDGE CONNECTION



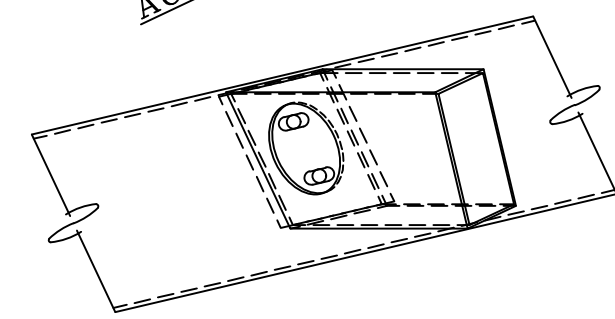
PLAN



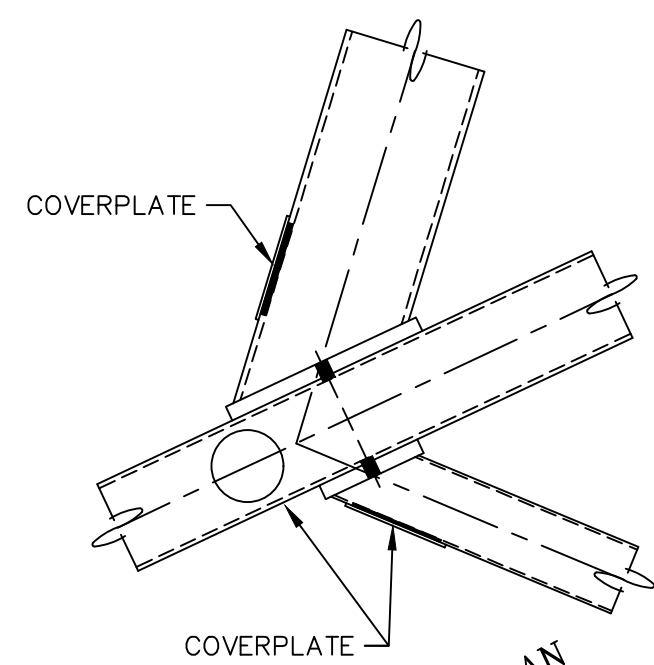
RIDGE PURLIN TO FRAME CONNECTION



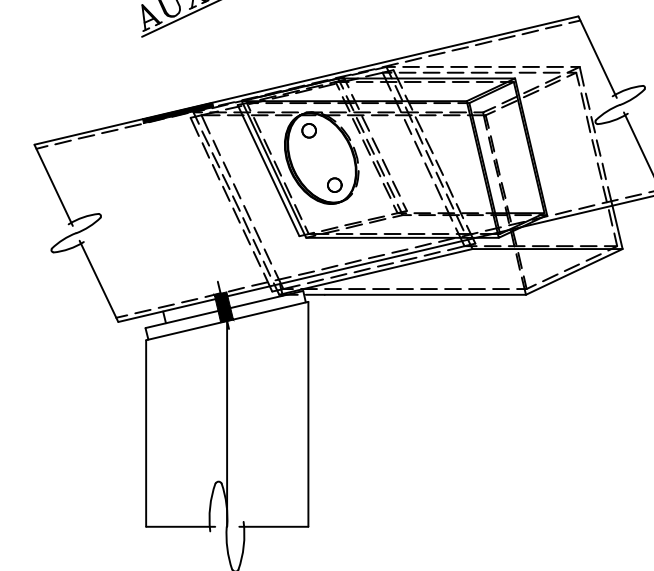
AUX. PLAN



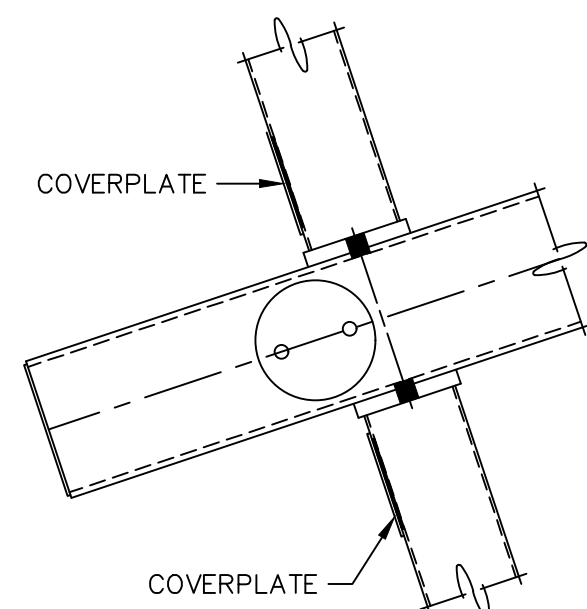
PURLIN TO HIP CONNECTION



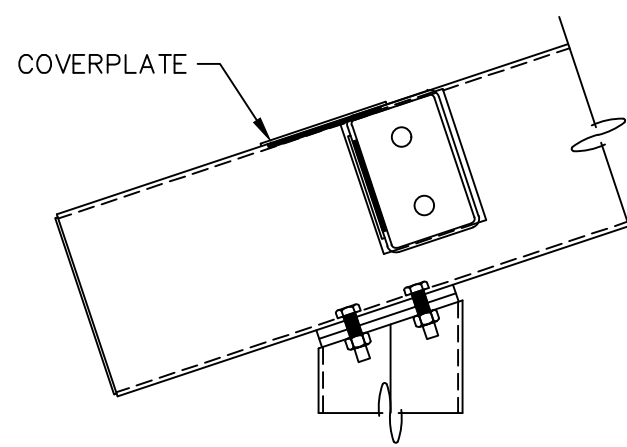
AUX. PLAN



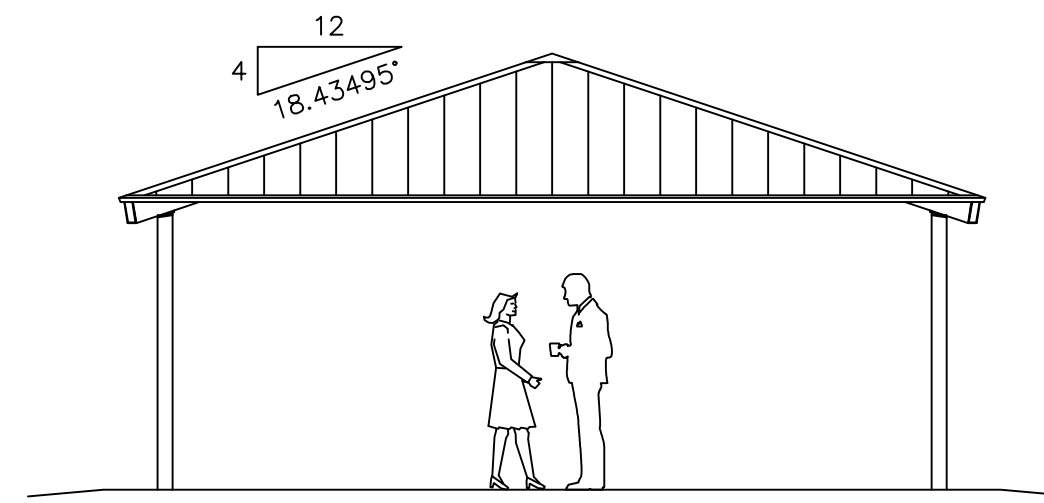
COLUMN TO HIP CONNECTION



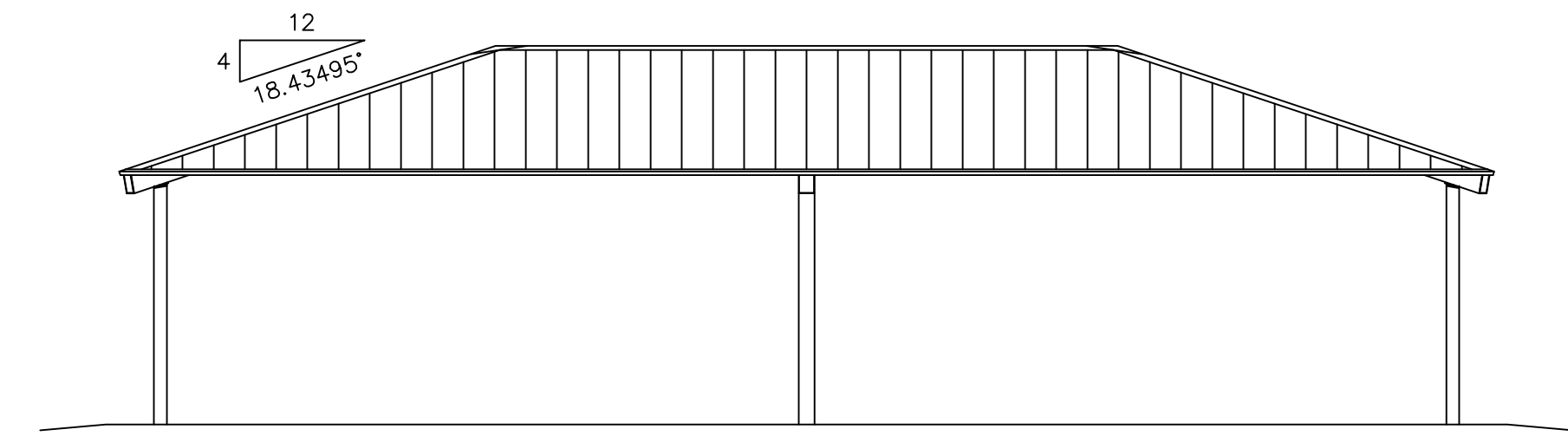
AUX. PLAN



COLUMN TO FRAME CONNECTION

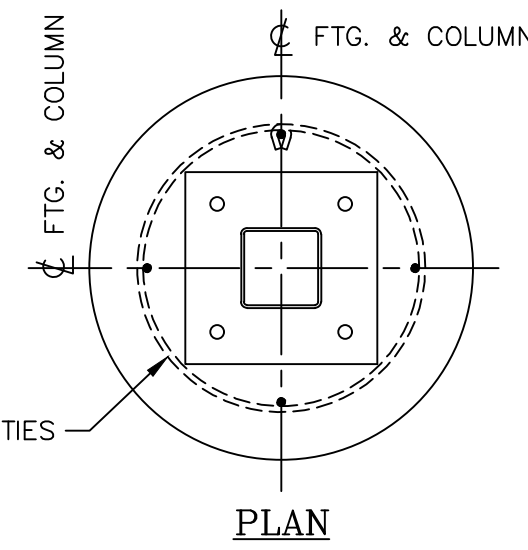


END ELEVATION

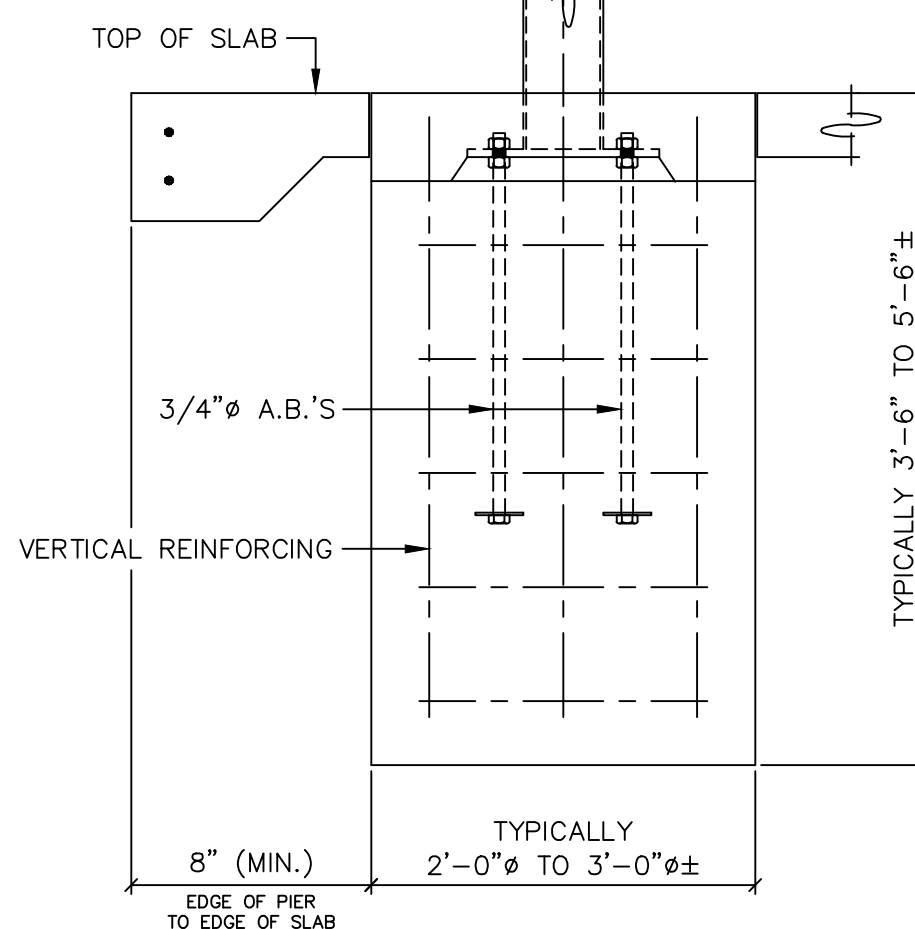


SIDE ELEVATION

NOTE:
THE CENTER FRAME MAY BE OMITTED
DEPENDING ON LOADING REQUIREMENTS.

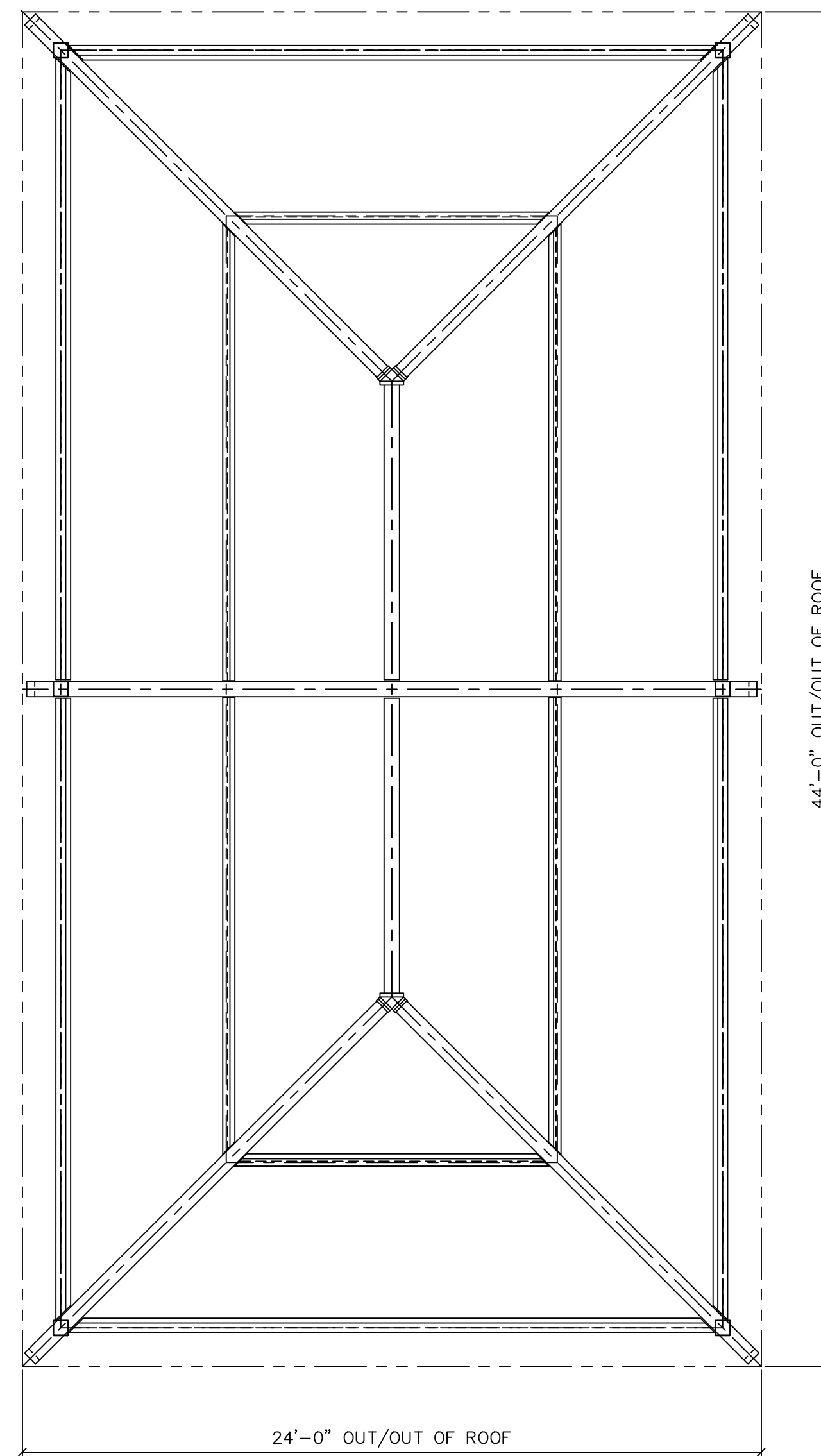


PLAN

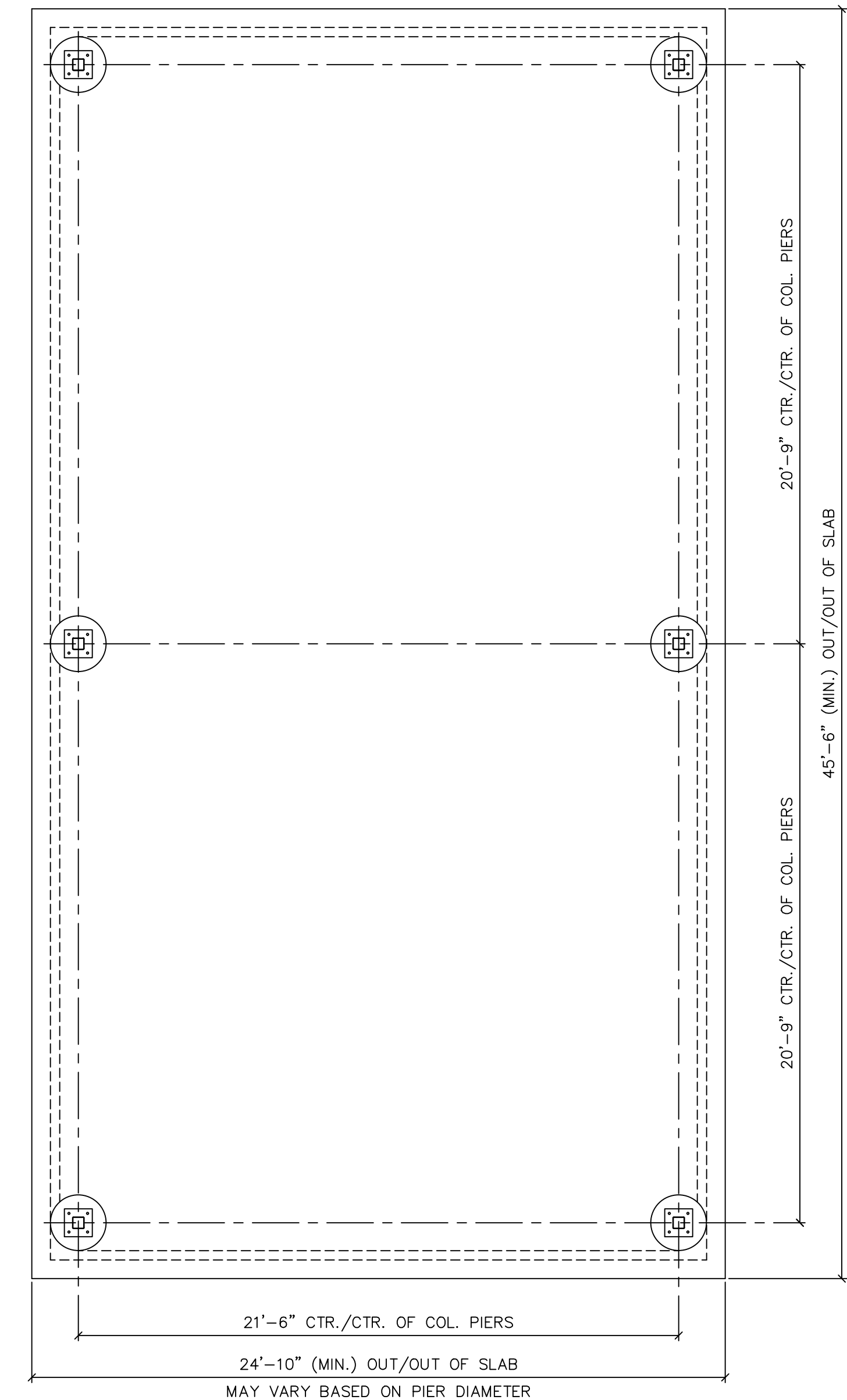


COLUMN PIER DETAIL

ACTUAL DESIGN WILL VARY DUE TO
BUILDING CODE REQUIREMENTS AND
MAY BE SUBSTANTIALLY LARGER



ROOF FRAMING PLAN



FOUNDATION PLAN

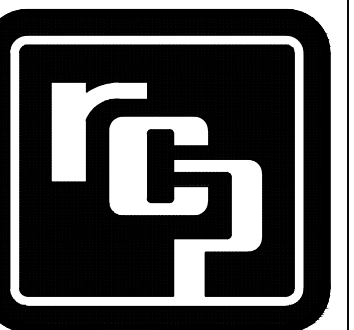
THIS PRINT IS THE PROPERTY OF RCP SHELTERS AND IS NOT TO BE USED, COPIED, OR REPRODUCED WITHOUT THEIR EXPRESSED WRITTEN PERMISSION.

TS-H2444-04

NUMBER OF PURLINS MAY VARY DEPENDING UPON DESIGN LOADS. SIZES AND SPACING OF PURLINS TO BE DETERMINED DURING FINAL DESIGN.

RCP SHELTERS, INC.

2100 SE RAYS WAY STUART, FL 34994 PO BOX 25 STUART, FL 34995-0025
 ■ SHELTERS ■ PAVILIONS ■ CONCESSIONS ■ KIOSKS ■ FABRIC SHADE
 ■ RESTROOMS ■ BANDSHELLS ■ MINI-SHELTERS ■ DUGOUTS ■ FABRIC SAIL
 Phone 800-525-0207 Fax 772-288-0207
 www.rcpselters.com Email info@rcpselters.com



PROJ. NO.:

DRAWN: DPP 2-27-08

CHK'D: JLD

REV 1:

REV 2: DPP

REV 3:

REV 4:

REV 5:

CAD NO.:

EEC JOB NO.: 6832 R

SHEET NO.:

1X of 1X