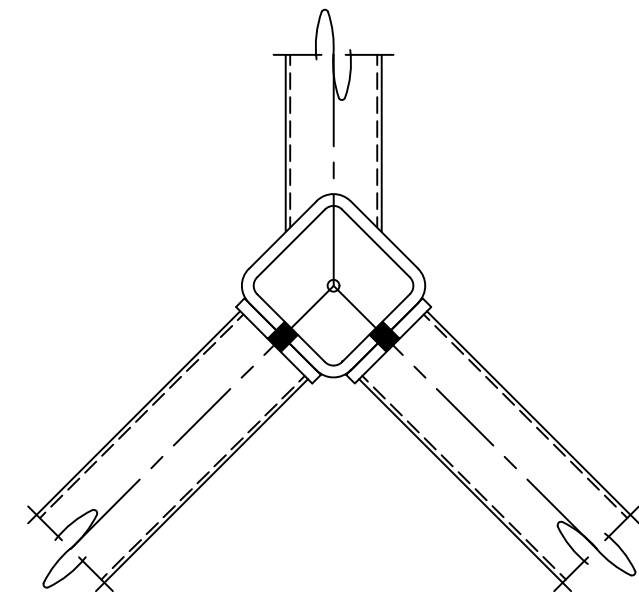
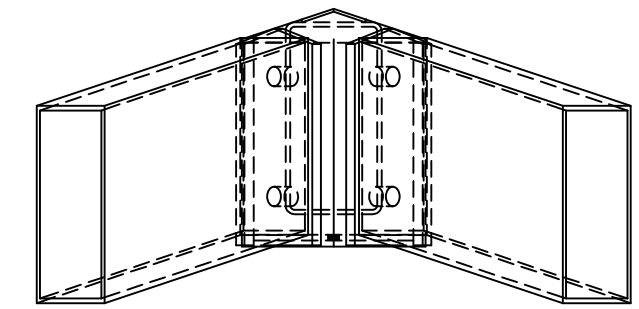


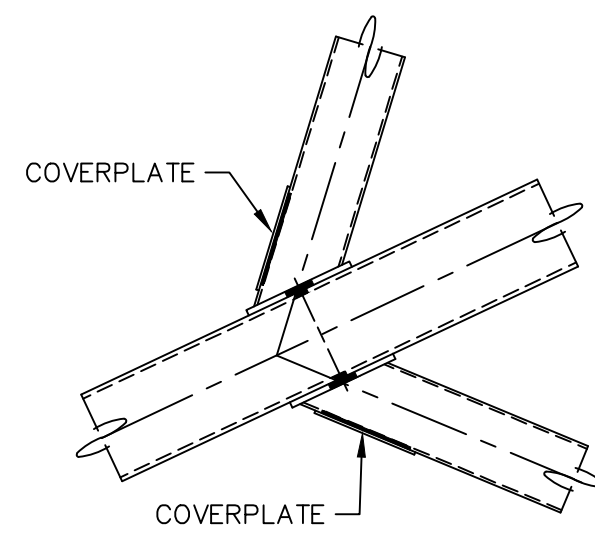
PRELIMINARY DRAWING – NOT FOR CONSTRUCTION



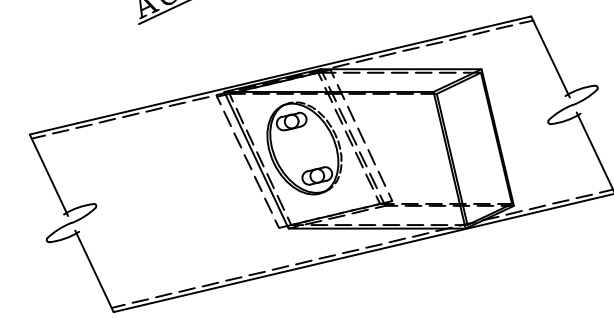
PLAN



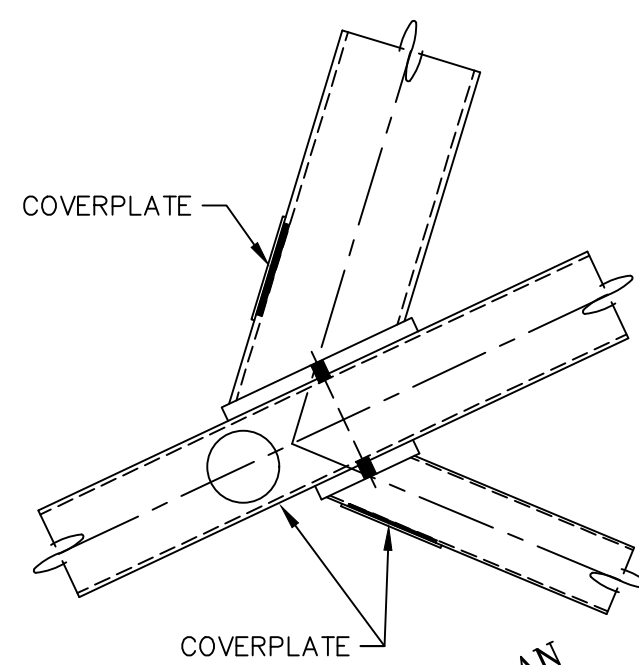
HIP TO RIDGE CONNECTION



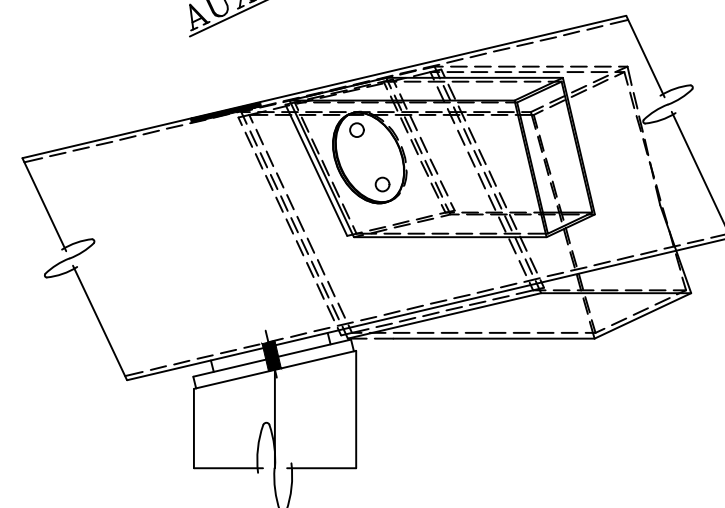
AUX PLAN



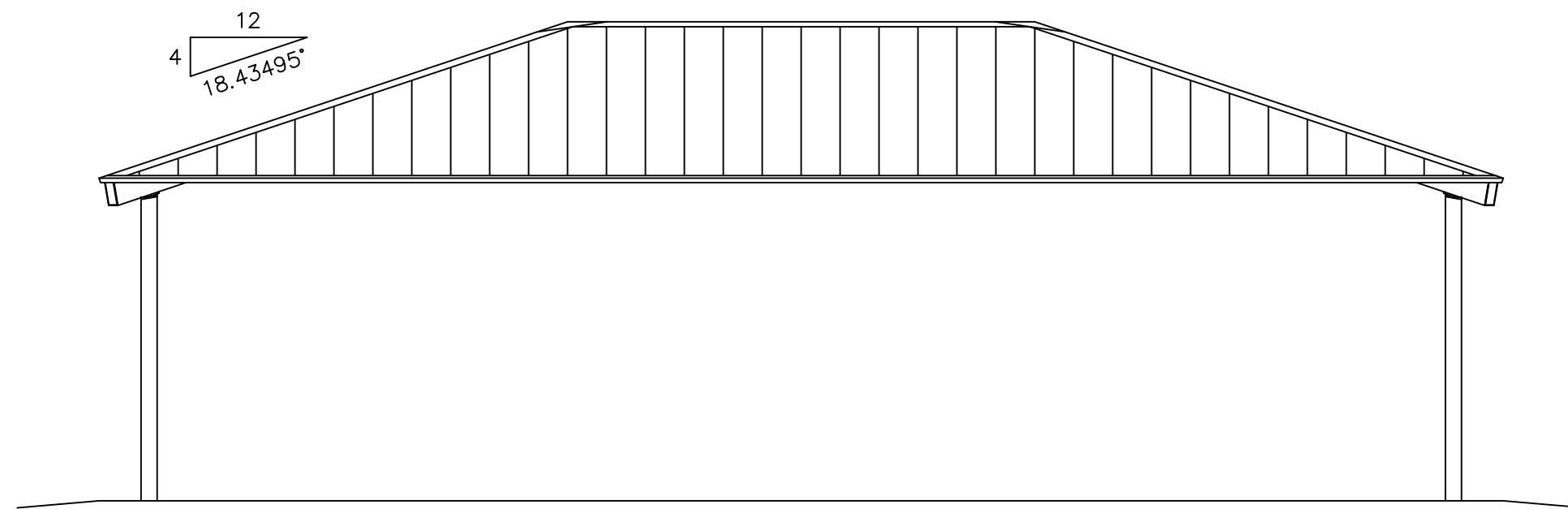
PURLIN TO HIP CONNECTION



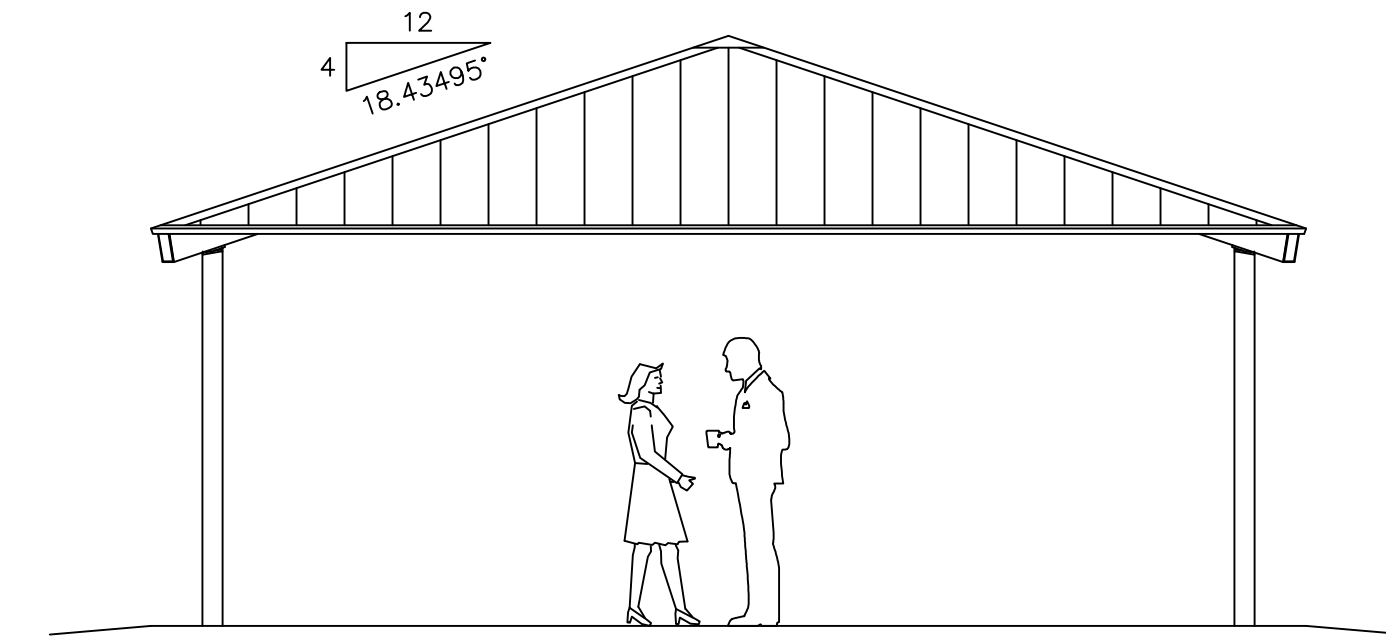
AUX PLAN



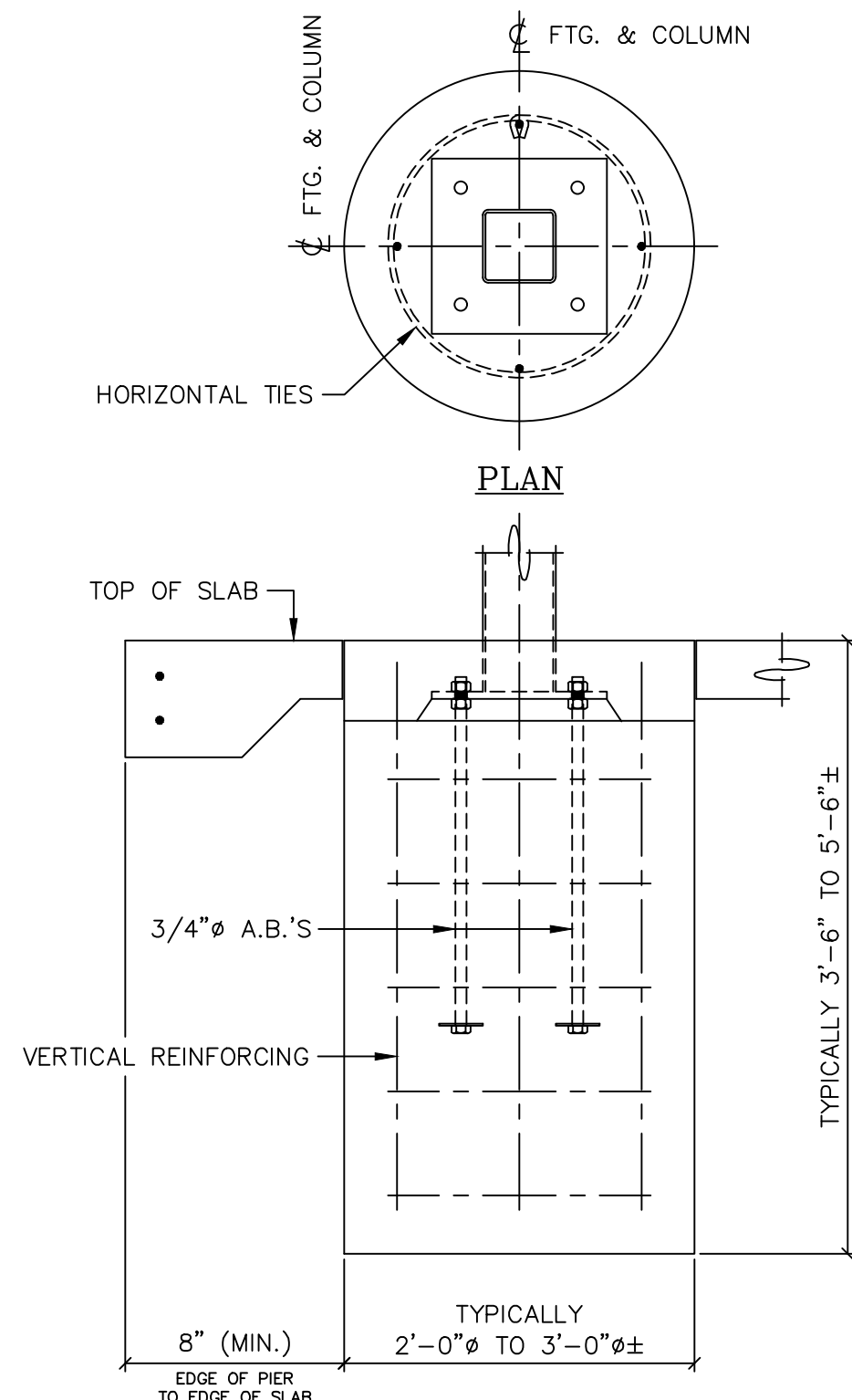
COLUMN TO HIP CONNECTION



SIDE ELEVATION

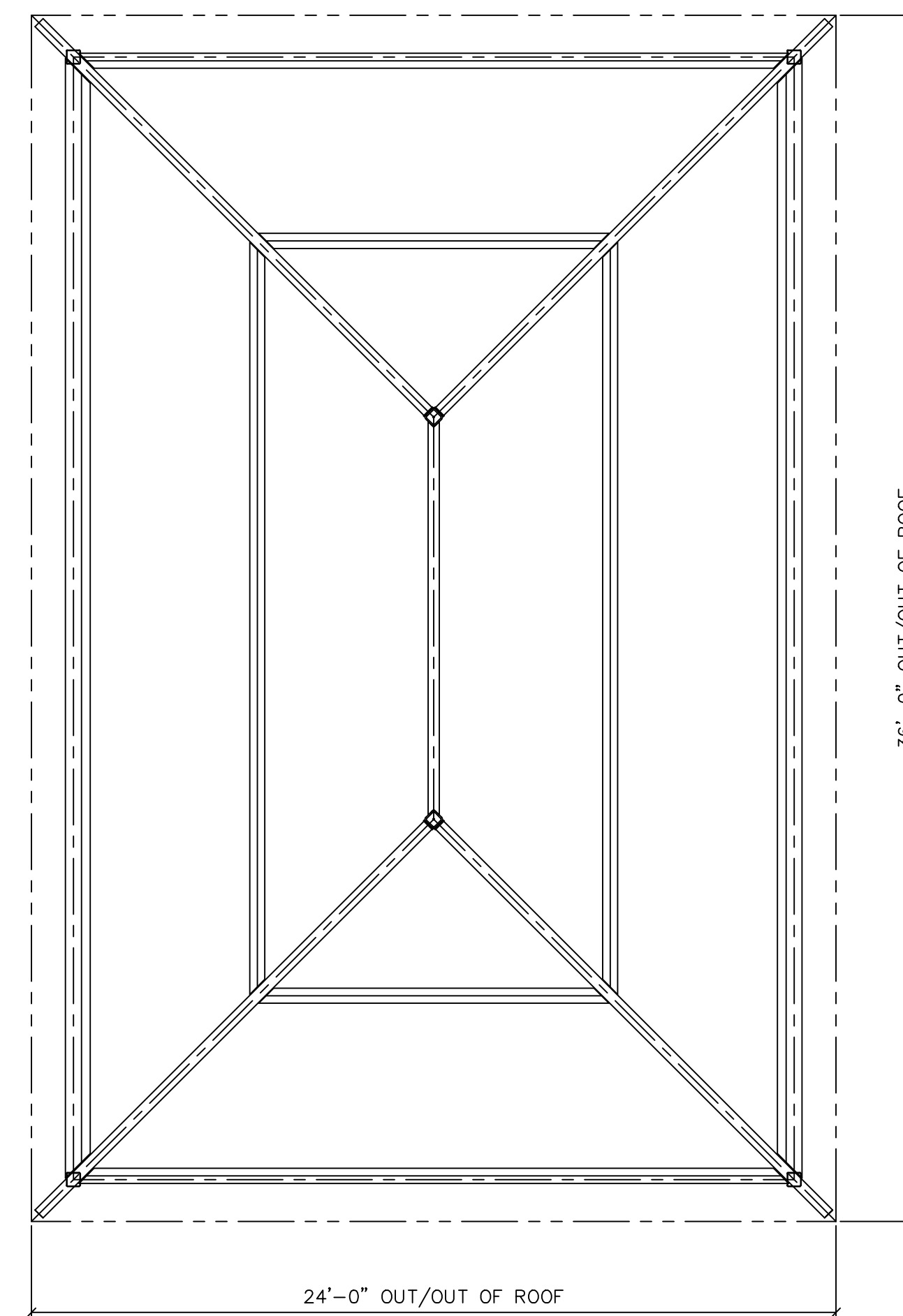


END ELEVATION

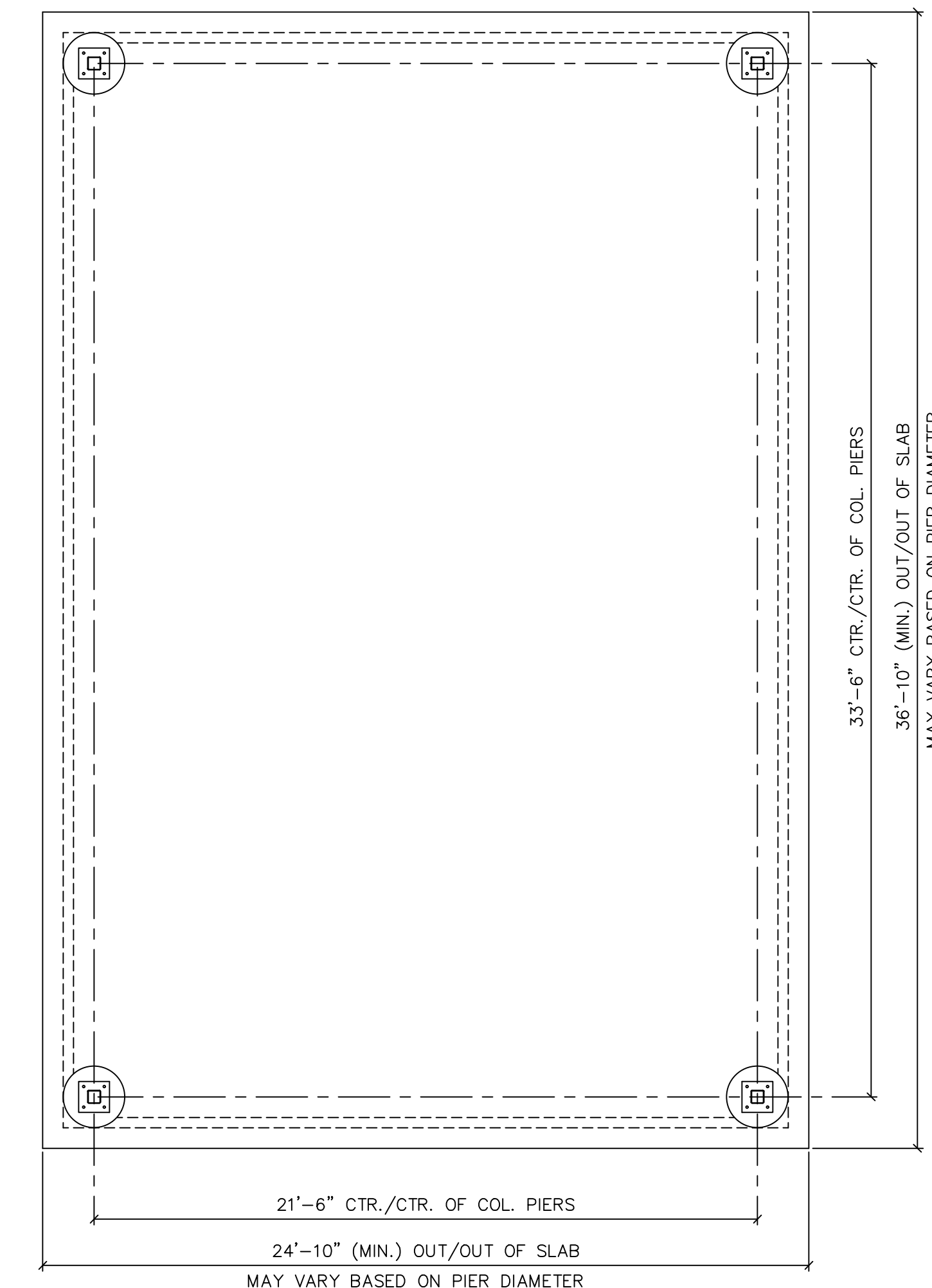


COLUMN PIER DETAIL

ACTUAL DESIGN WILL VARY DUE TO BUILDING CODE REQUIREMENTS AND MAY BE SUBSTANTIALLY LARGER



ROOF FRAMING PLAN



FOUNDATION PLAN

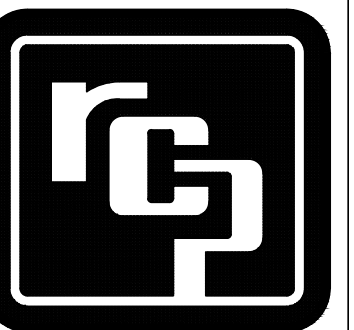
THIS PRINT IS THE PROPERTY OF RCP SHELTERS AND IS NOT TO BE USED, COPIED, OR REPRODUCED WITHOUT THEIR EXPRESSED WRITTEN PERMISSION.

TS-H2436-04

NUMBER OF PURLINS MAY VARY DEPENDING UPON DESIGN LOADS. SIZES AND SPACING OF PURLINS TO BE DETERMINED DURING FINAL DESIGN.

RCP SHELTERS, INC.

2100 SE RAYS WAY STUART, FL 34994 PO BOX 25 STUART, FL 34995-0025
 ■ SHELTERS ■ PAVILIONS ■ CONCESSIONS ■ KIOSKS ■ FABRIC SHADE
 ■ RESTROOMS ■ BANDSHELLS ■ MINI-SHELTERS ■ DUGOUTS ■ FABRIC SAIL
 Phone 800-525-0207 Fax 772-288-0207
 www.rcpselters.com Email info@rcpselters.com



PROJ. NO.:

DRAWN: DPP

CHK'D:

REV 1:

REV 2:

REV 3:

REV 4:

REV 5:

CAD NO.:

EEC JOB NO.:

SHEET NO.:

6832 R

1X OF 1X