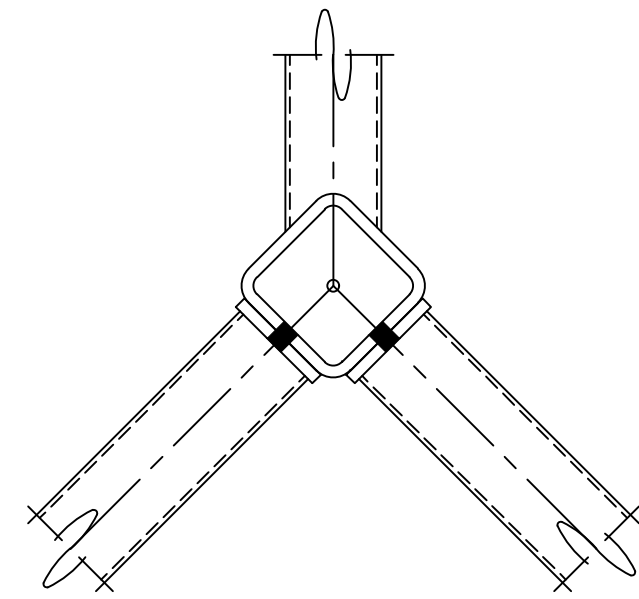
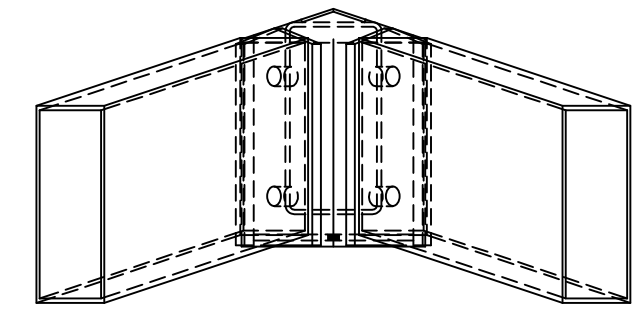


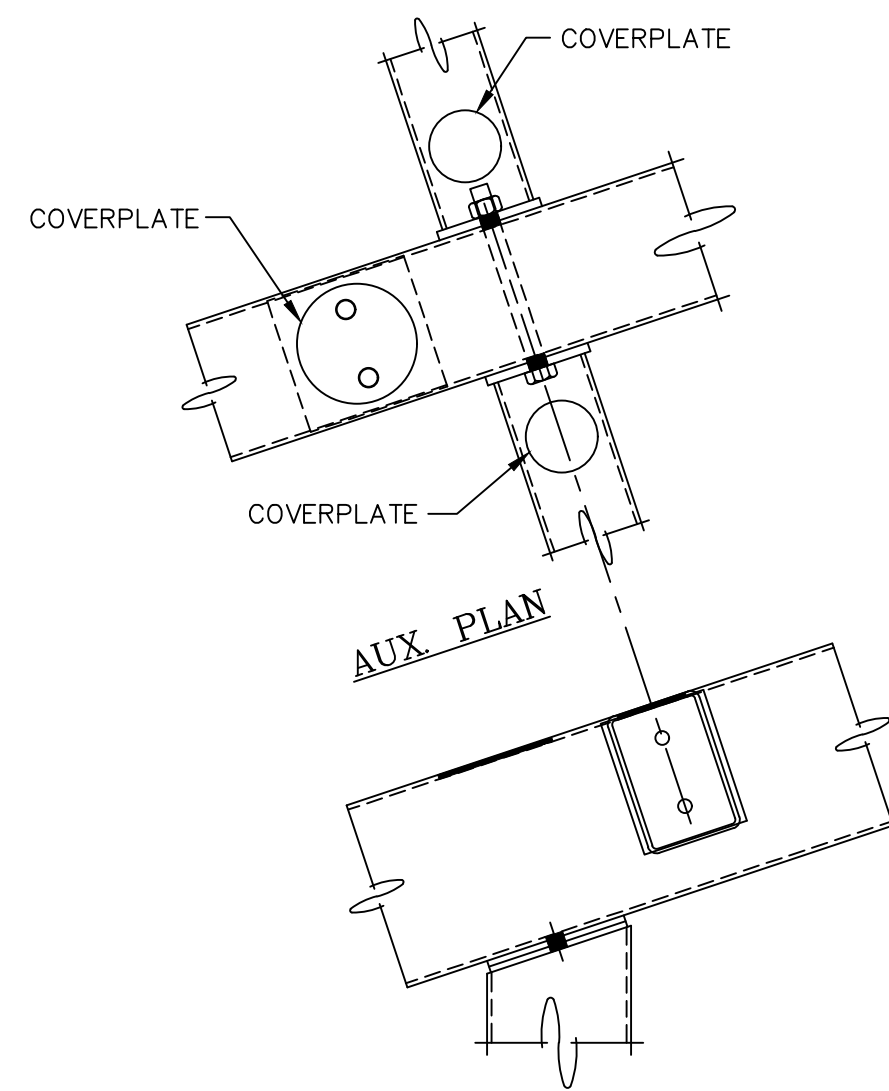
PRELIMINARY DRAWING – NOT FOR CONSTRUCTION



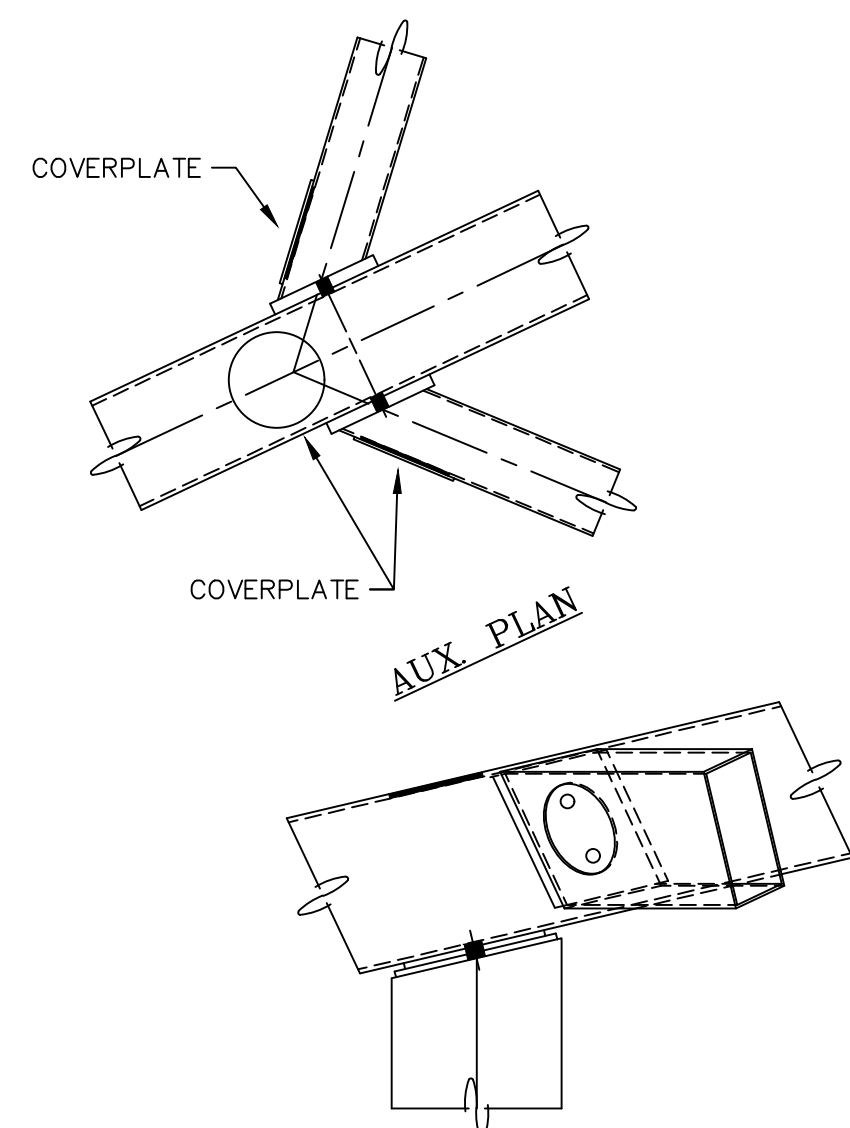
PLAN



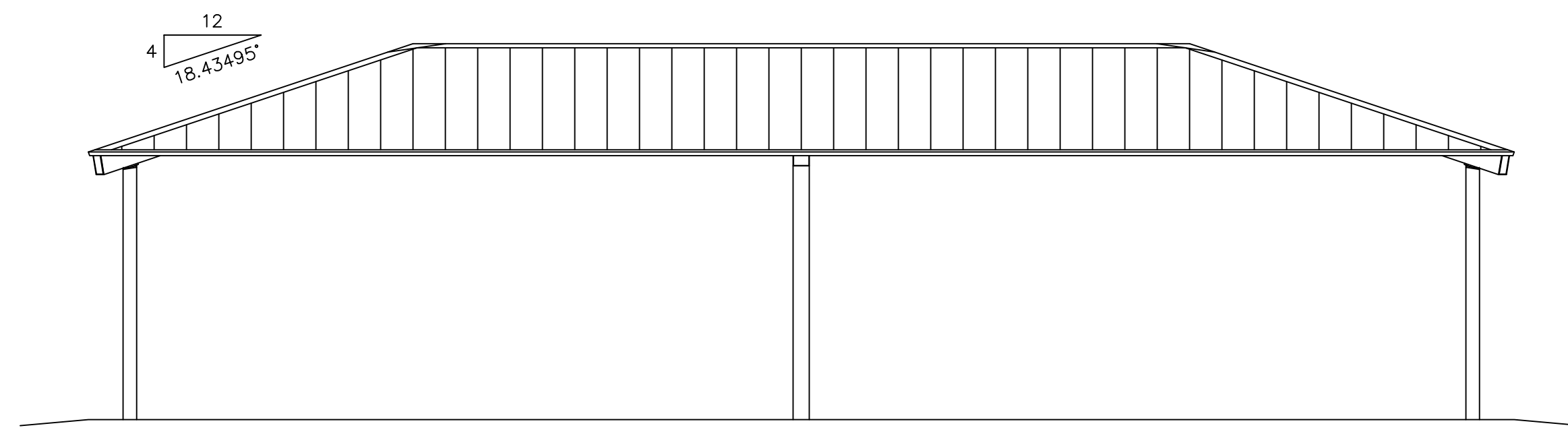
HIP TO RIDGE CONNECTION



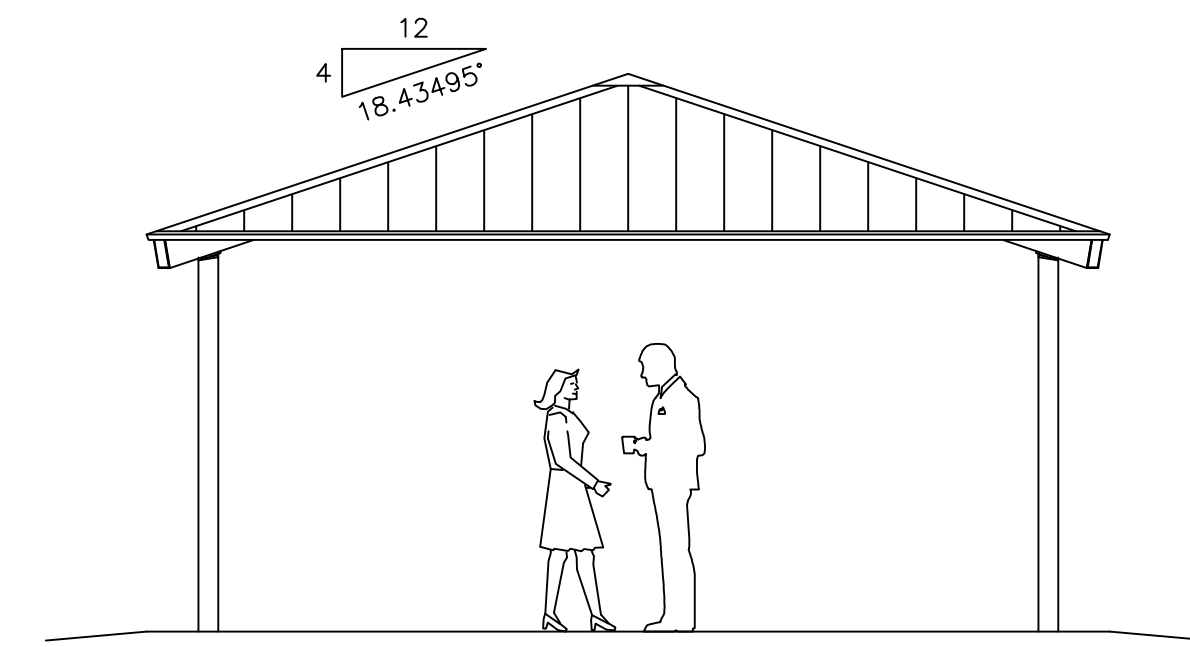
COLUMN TO FRAME CONNECTION



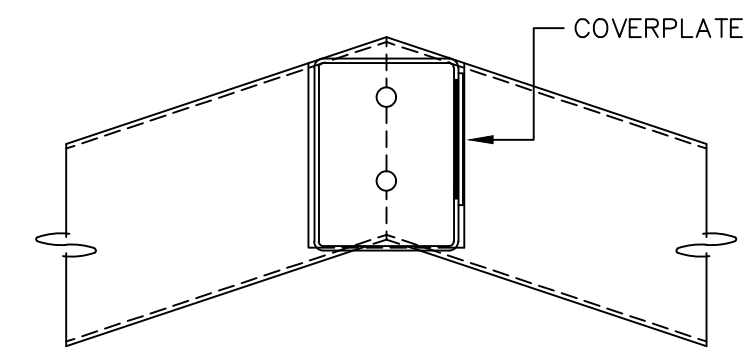
COLUMN TO HIP CONNECTION



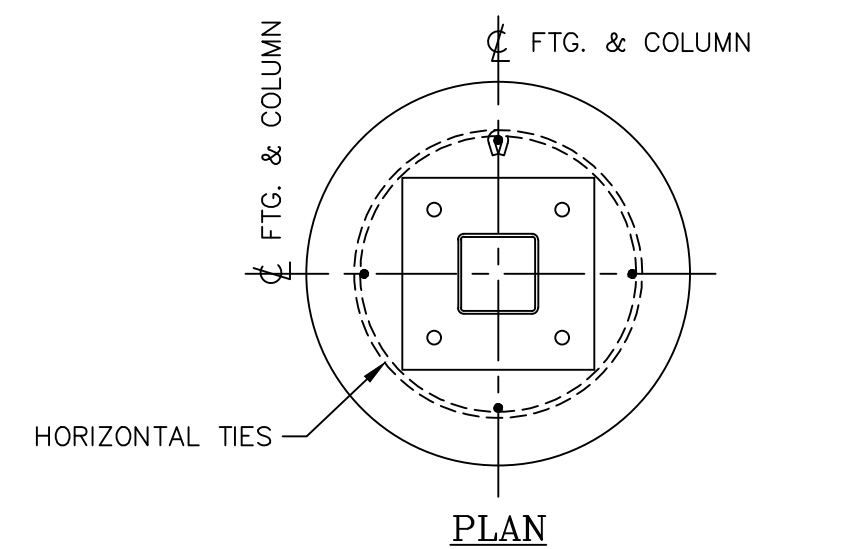
SIDE ELEVATION



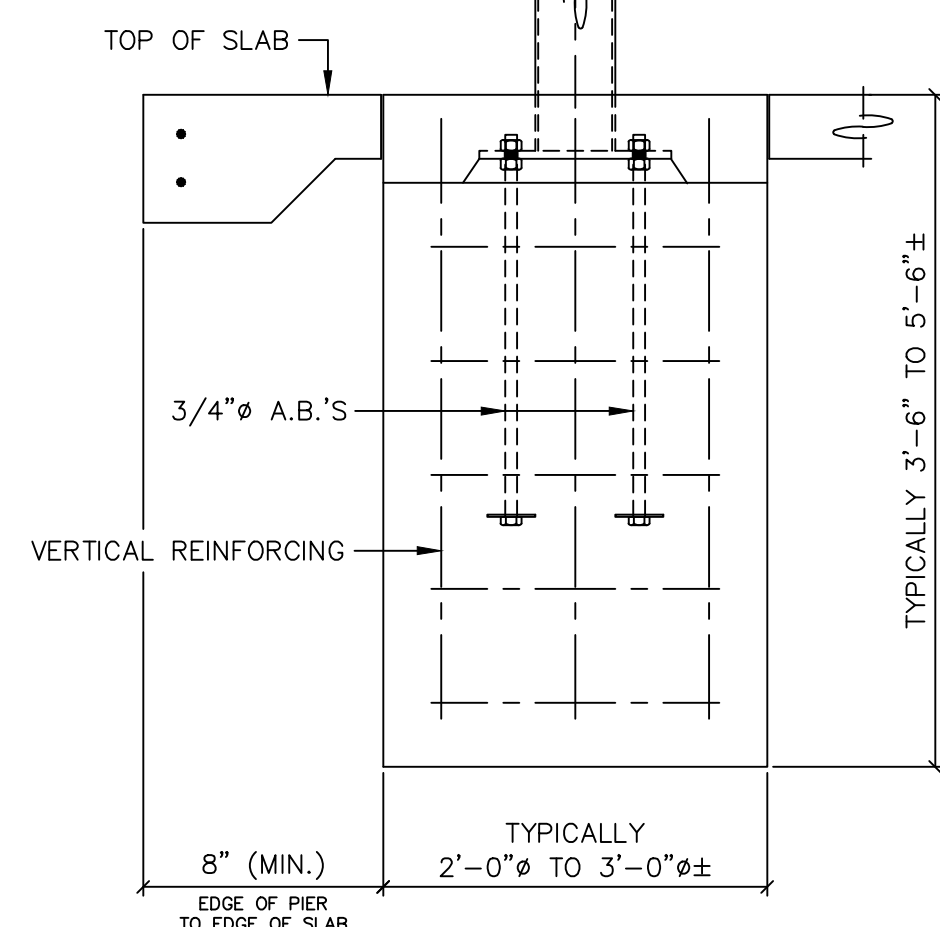
END ELEVATION



RIDGE TO FRAME CONNECTION

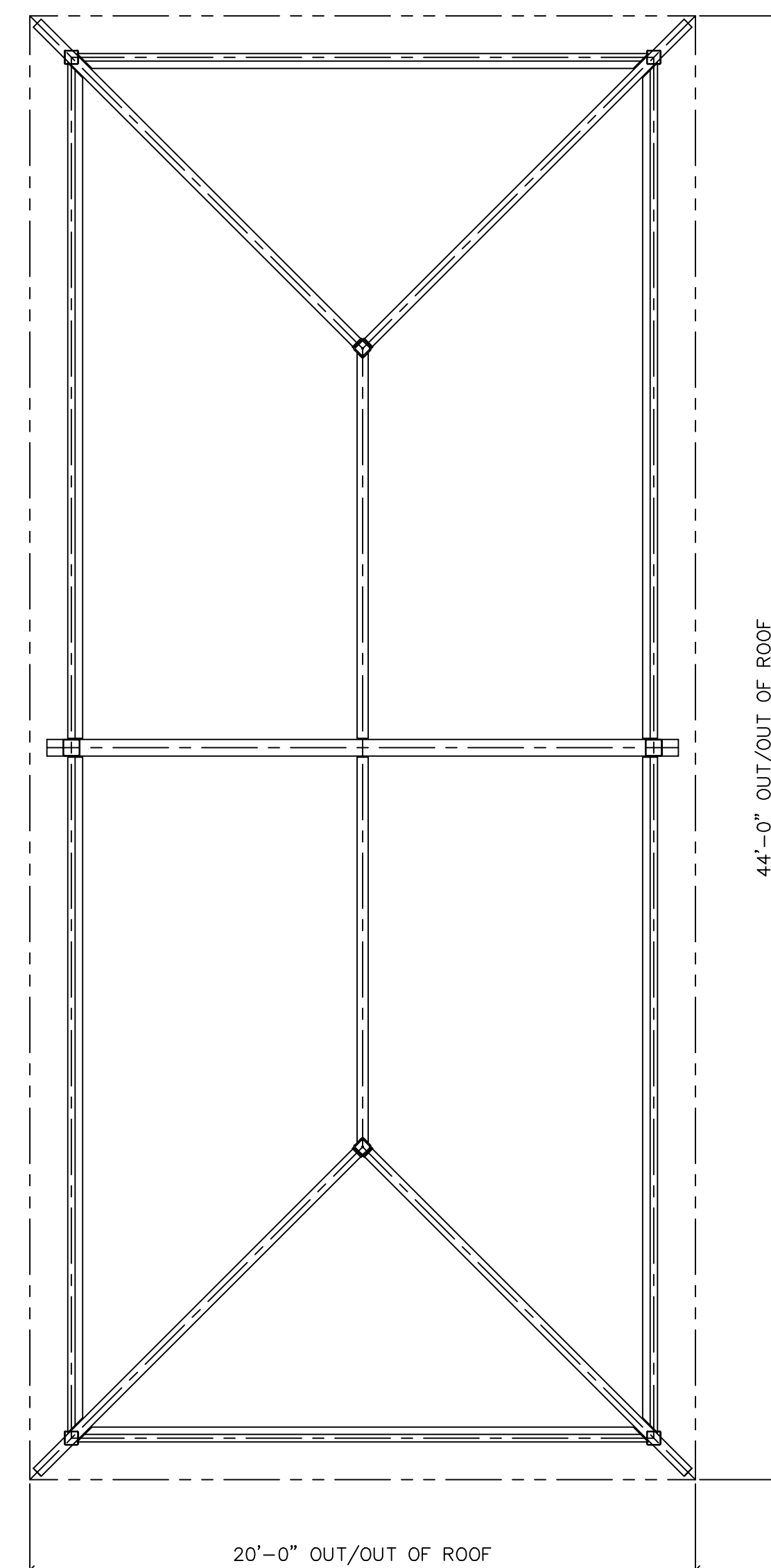


PLAN

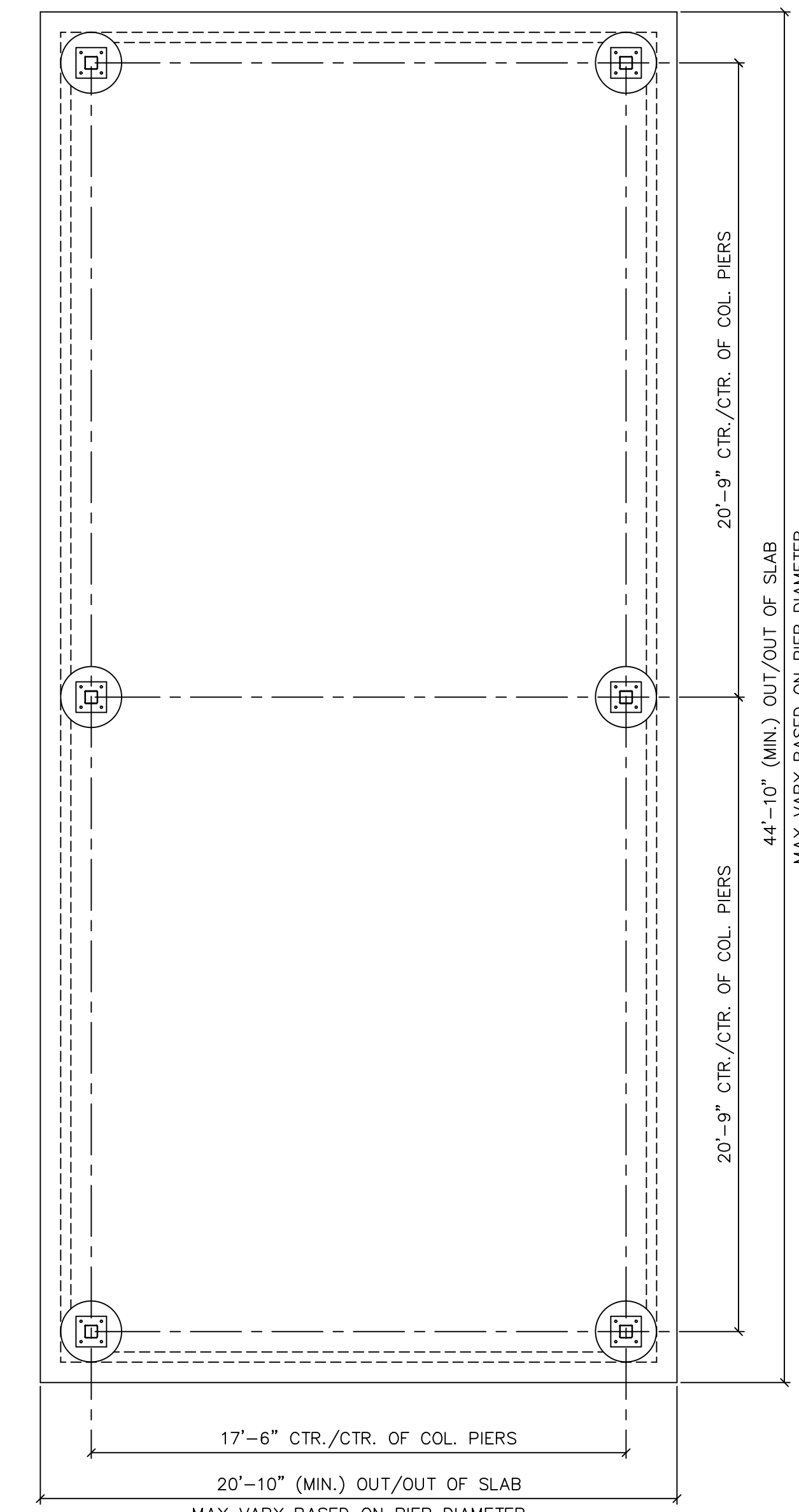


COLUMN PIER DETAIL

ACTUAL DESIGN WILL VARY DUE TO BUILDING CODE REQUIREMENTS AND MAY BE SUBSTANTIALLY LARGER



ROOF FRAMING PLAN



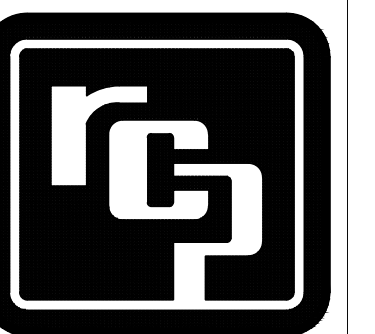
FOUNDATION PLAN

NOTE:
THE CENTER FRAME MAY BE OMITTED
DEPENDING ON LOADING REQUIREMENTS.

THIS PRINT IS THE PROPERTY OF RCP SHELTERS AND IS NOT TO BE USED, COPIED, OR REPRODUCED WITHOUT THEIR EXPRESSED WRITTEN PERMISSION.

TS-H2044-04

RCP SHELTERS, INC.
2100 SE RAYS WAY STUART, FL 34994 PO BOX 25 STUART, FL 34995-0025
SHELTERS ■ PAVILIONS ■ CONCESSIONS ■ KIOSKS ■ FABRIC SHADE
RESTROOMS ■ BANDSHELLS ■ MINI-SHELTERS ■ DUGOUTS ■ FABRIC SAIL
Phone 800-525-0207 Fax 772-288-0207
www.rcpselters.com Email info@rcpselters.com



PROJ. NO.:

DRAWN: DPP

CHK'D:

REV 1:

REV 2:

REV 3:

REV 4:

REV 5:

CAD NO.:

EEC JOB NO.: 6832 R

SHEET NO.:

1X OF 1X

NUMBER OF PURLINS MAY VARY DEPENDING UPON DESIGN LOADS. SIZES AND SPACING OF PURLINS TO BE DETERMINED DURING FINAL DESIGN.