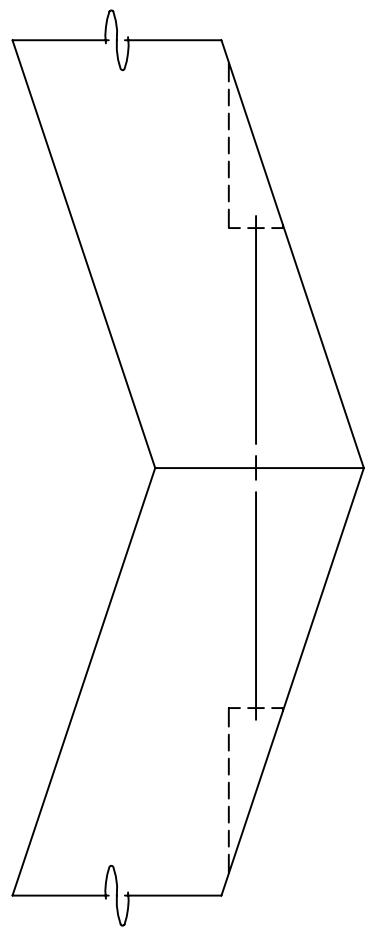
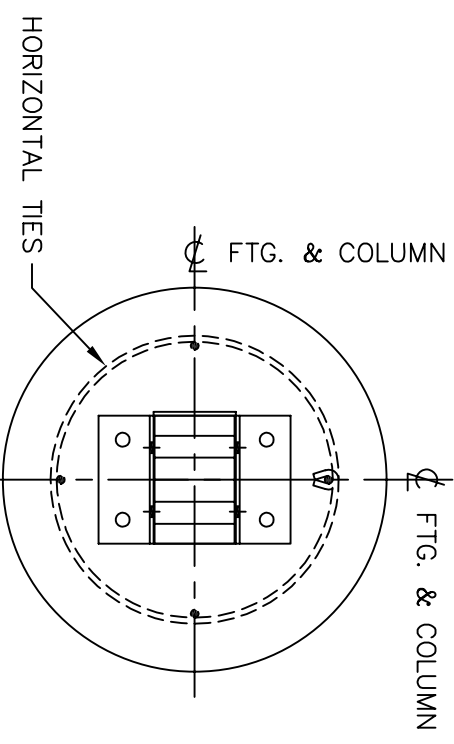


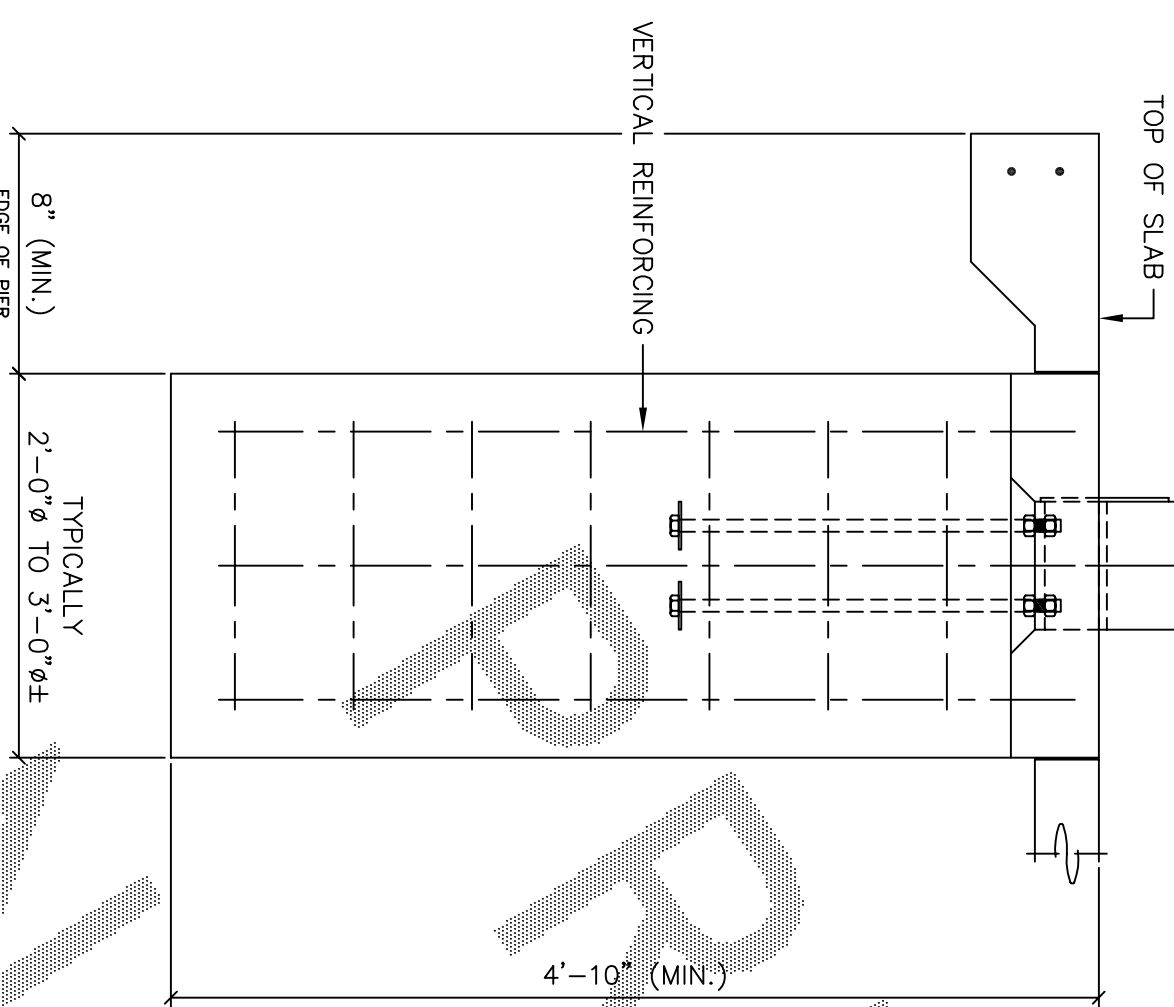
END ELEVATION



ARCH PEAK CONNECTION

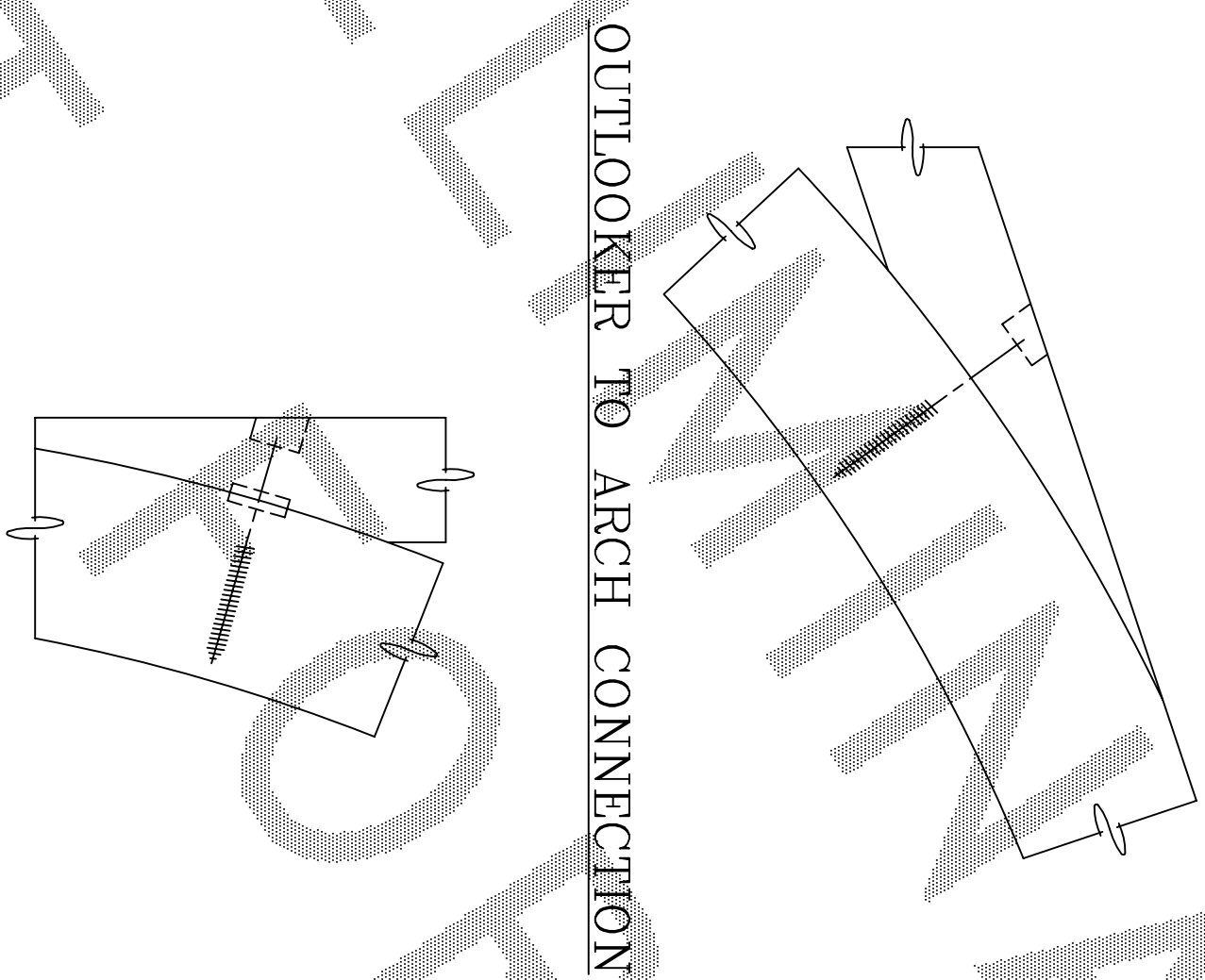


PLAN

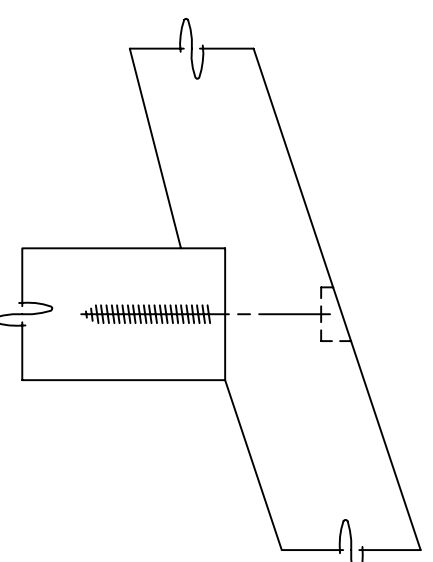


COLUMN PIER DETAIL

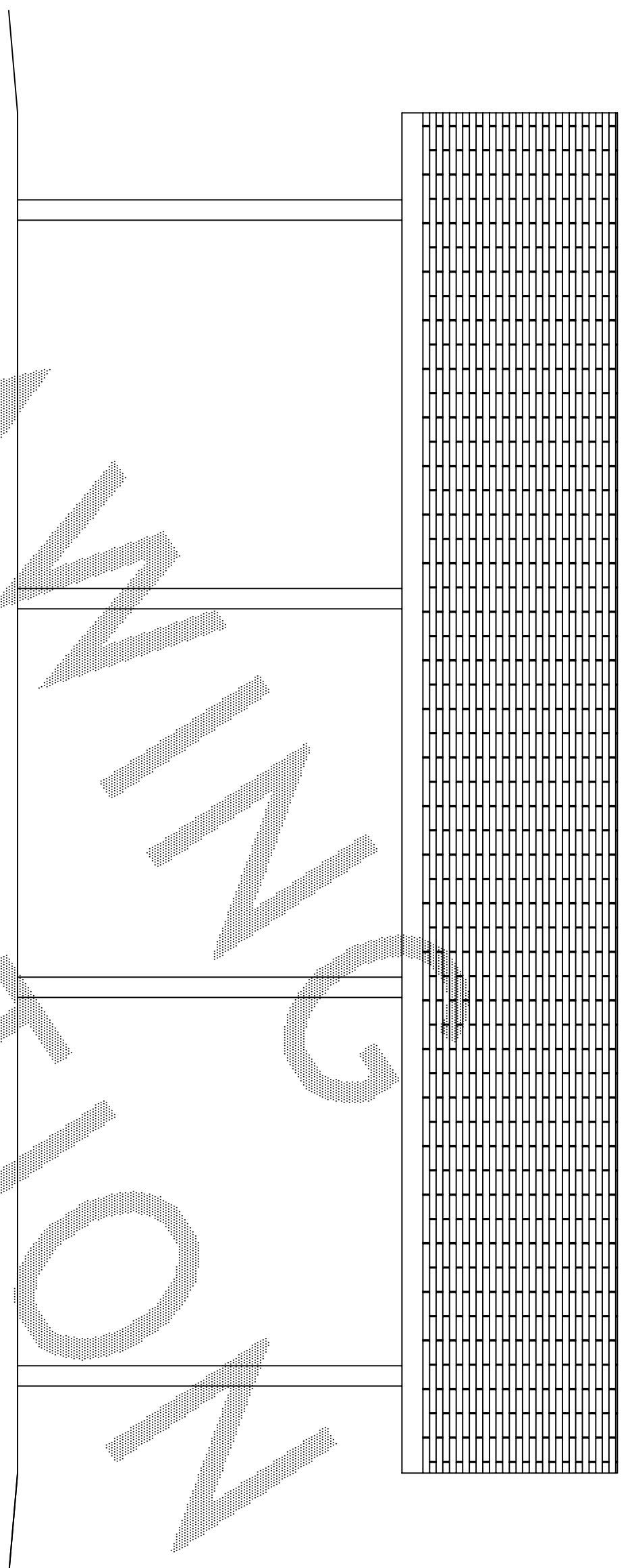
ACTUAL DESIGN WILL VARY DUE TO BUILDING CODE REQUIREMENTS AND MAY BE SUBSTANTIALLY LARGER



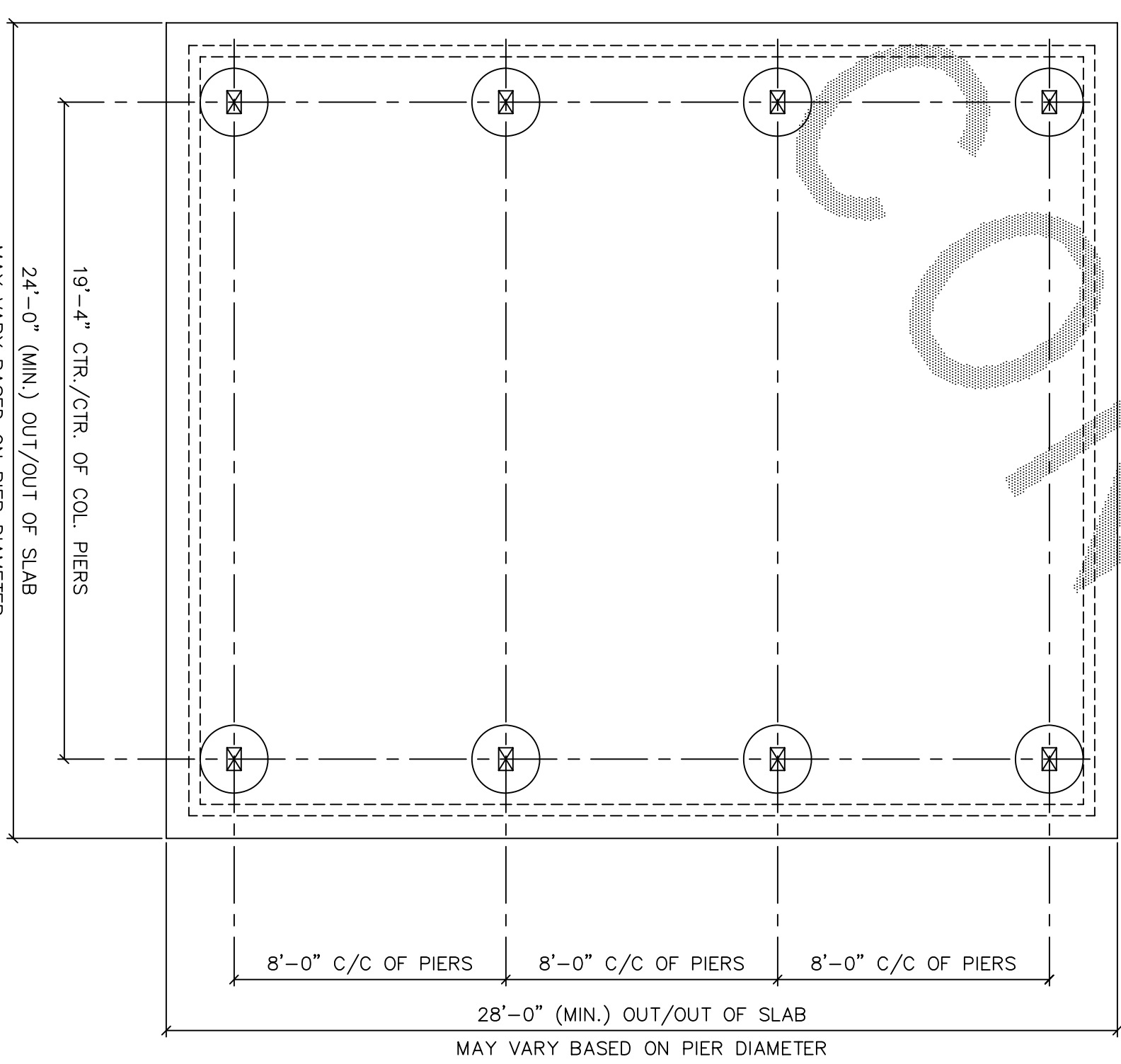
OUTLOOKER TO ARCH CONNECTION



OUTLOOKER TO POST CONNECTION

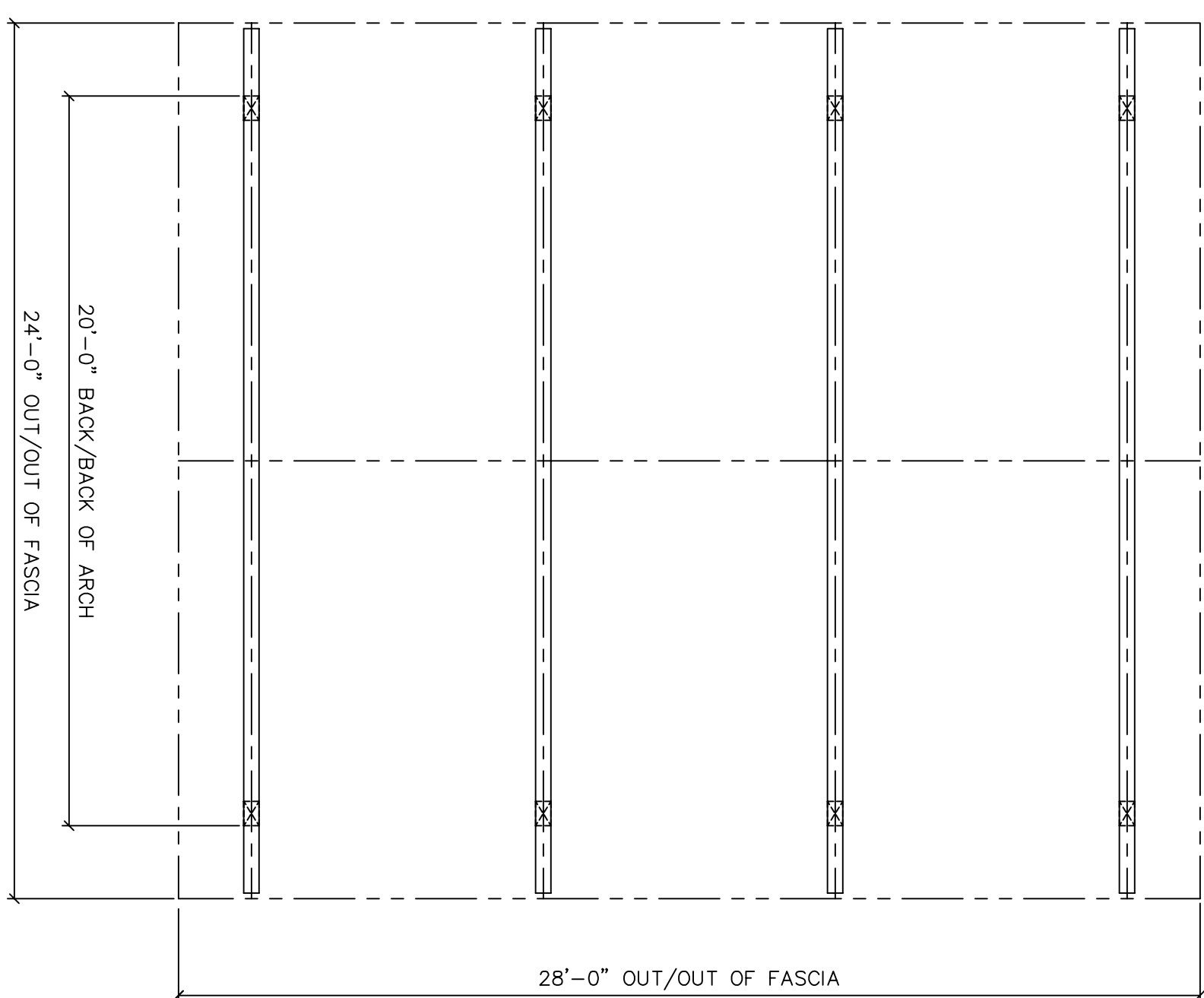


SIDE ELEVATION



FOUNDATION PLAN

MAY VARY BASED ON PIER DIAMETER



ROOF FRAMING PLAN

RCP SHELTERS, INC.

2100 SE RAYS WAY STUART, FL 34994 PO BOX 25 STUART, FL 34995-0025

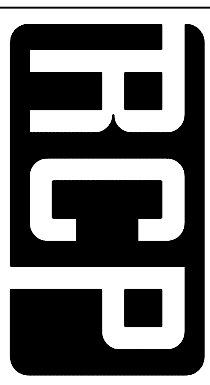
- SHELTERS
- PAVILIONS
- CONCESSIONS
- KIOSKS
- RESTROOMS
- BANDSHELLS
- MINI-SHELTERS
- DUGOUTS

Phone 800-525-0207 Fax 772-288-0207  
www.rcpselters.com Email info@rcpselters.com

LW-OKA-G2428-04

NUMBER OF MEMBERS MAY VARY DEPENDING UPON DESIGN LOADS, SIZES AND SPACING OF MEMBERS TO BE DETERMINED DURING FINAL DESIGN.

THIS PRINT IS THE PROPERTY OF RCP SHELTERS, INC. IT IS TO BE USED ONLY FOR THE PROJECT AND SITE SPECIFICALLY IDENTIFIED. NO REPRODUCTION OR TRANSMISSION IS PERMITTED WITHOUT WRITTEN PERMISSION.



PROJ. NO.:

DRANK: DPP 3-5-08

CHK'D: JLD

DESIGN: FASMA

REV. 1:

REV. 2:

REV. 3:

REV. 4:

CAD NO.: LW-OKA-G2428-04

ECG JOB NO.: 6942 R

SHEET NO.:

1X OF 1X