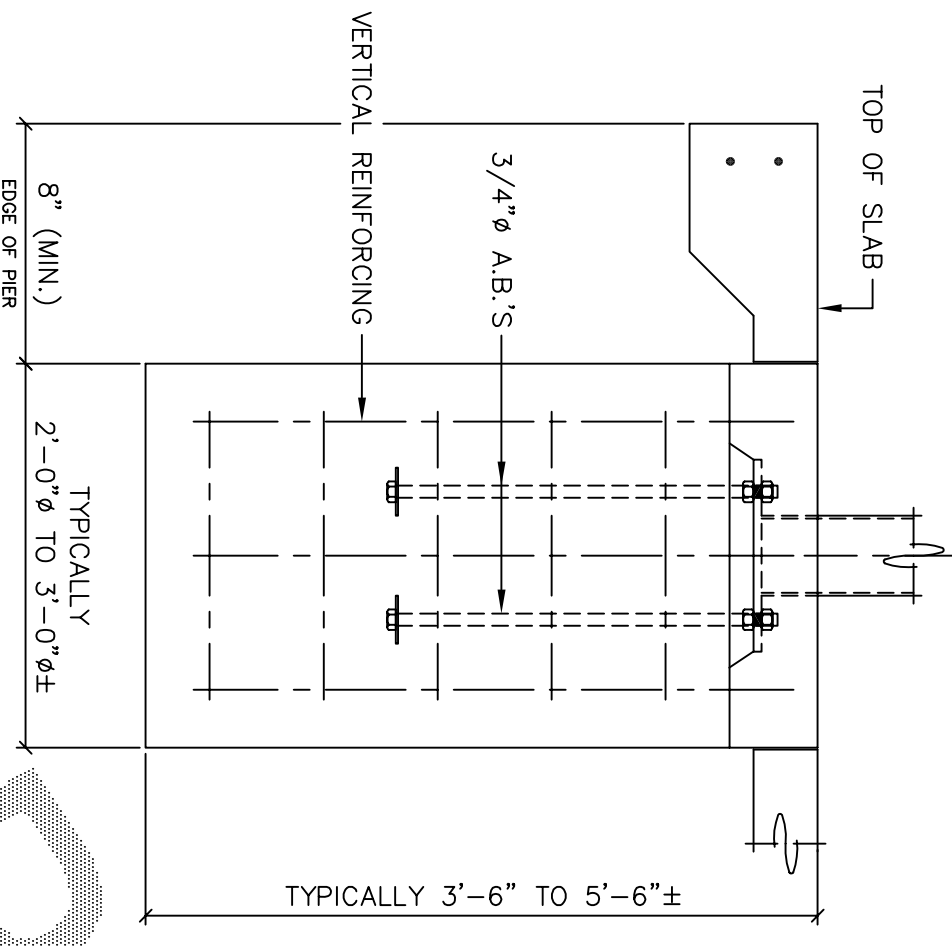
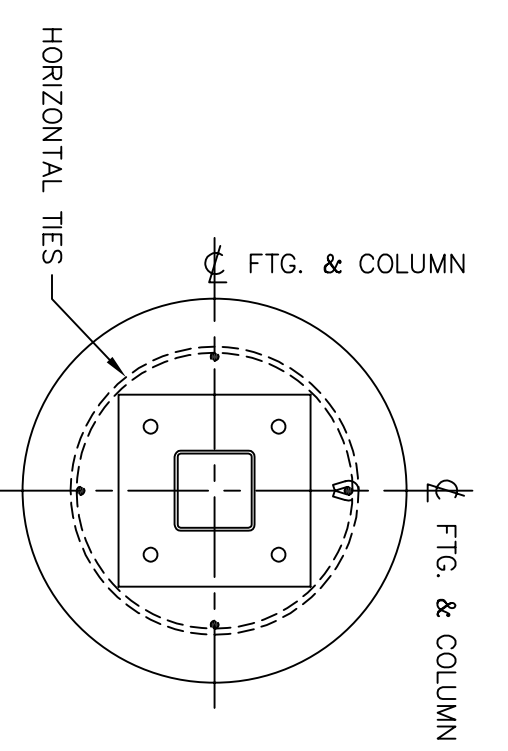
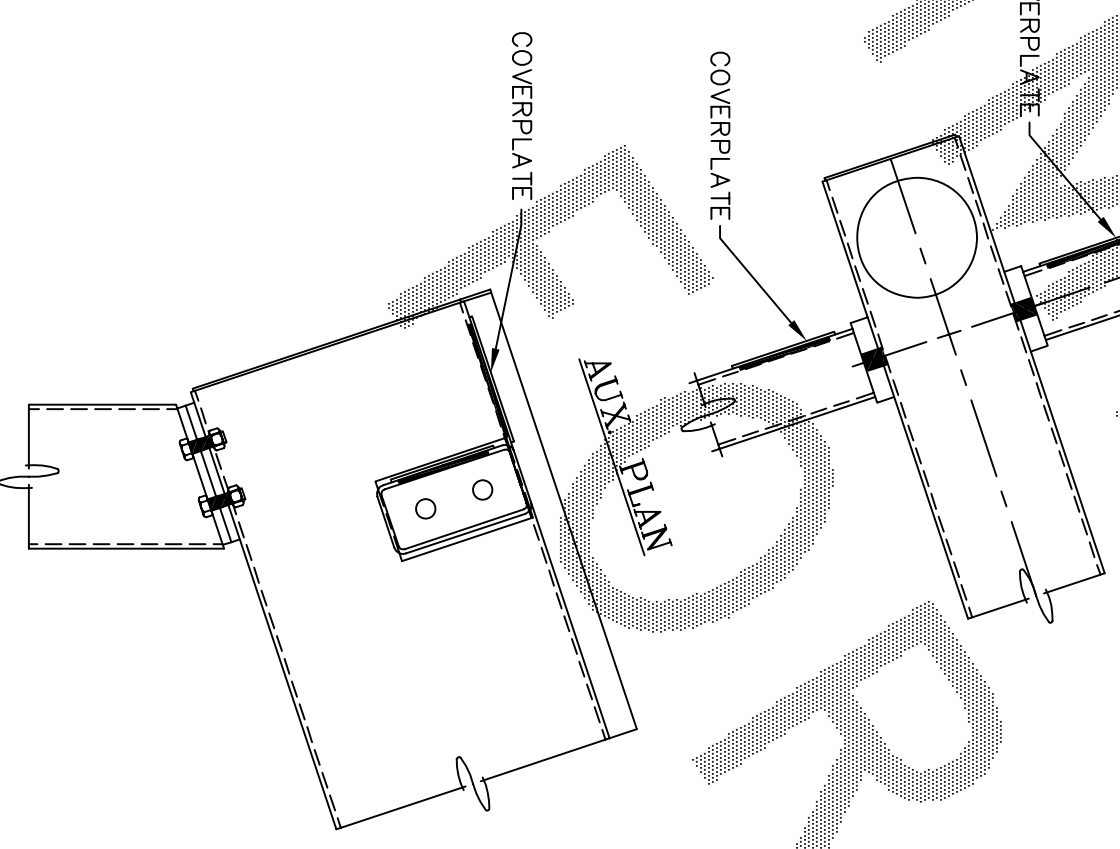


COLUMN TO HIP CONNECTION

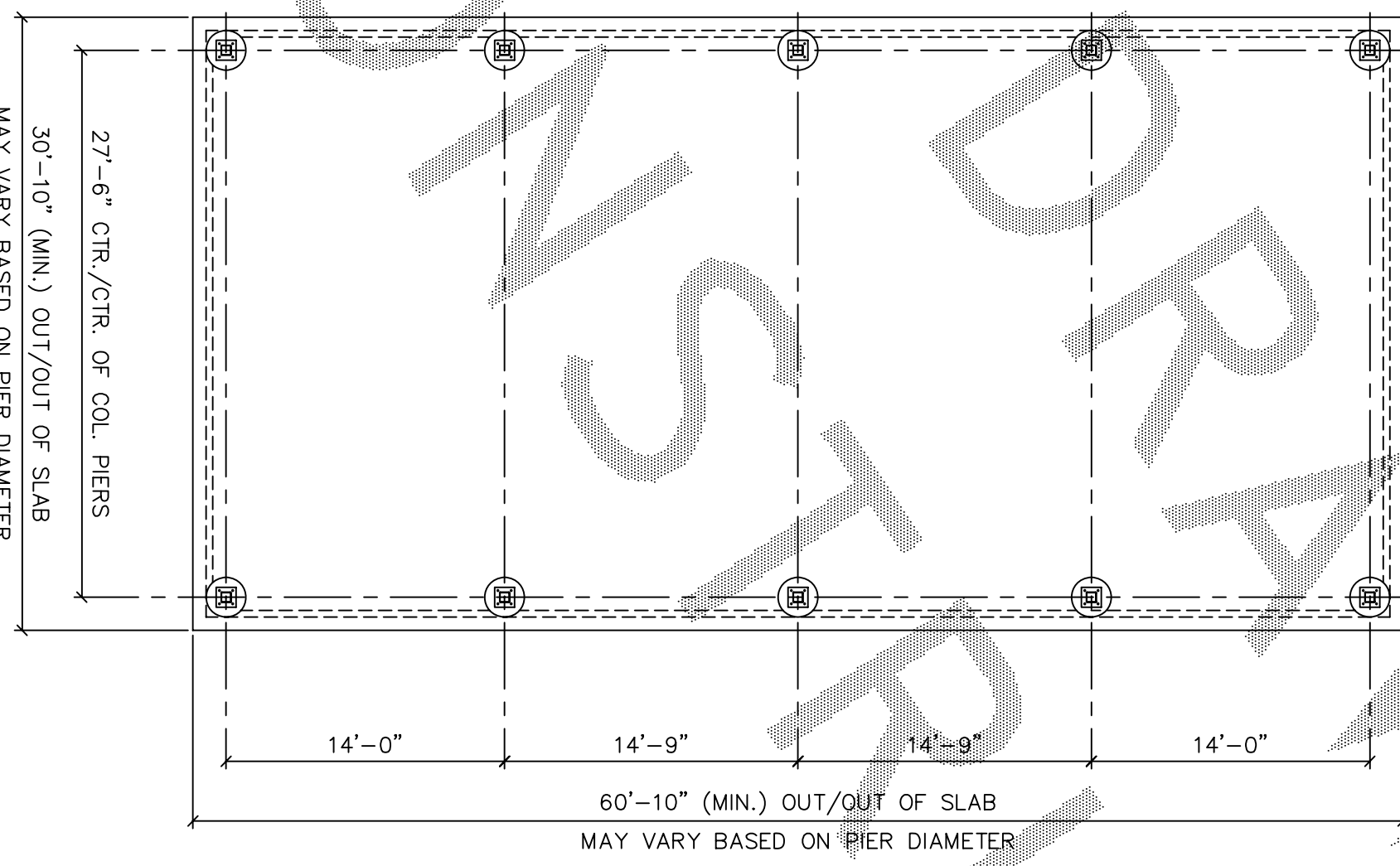
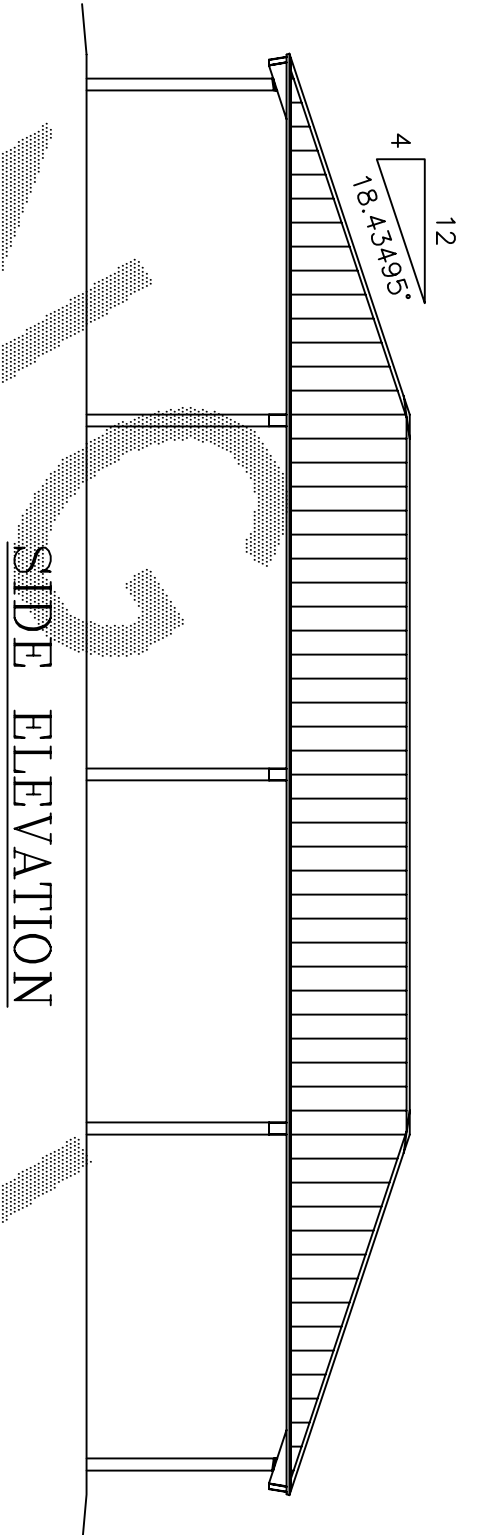
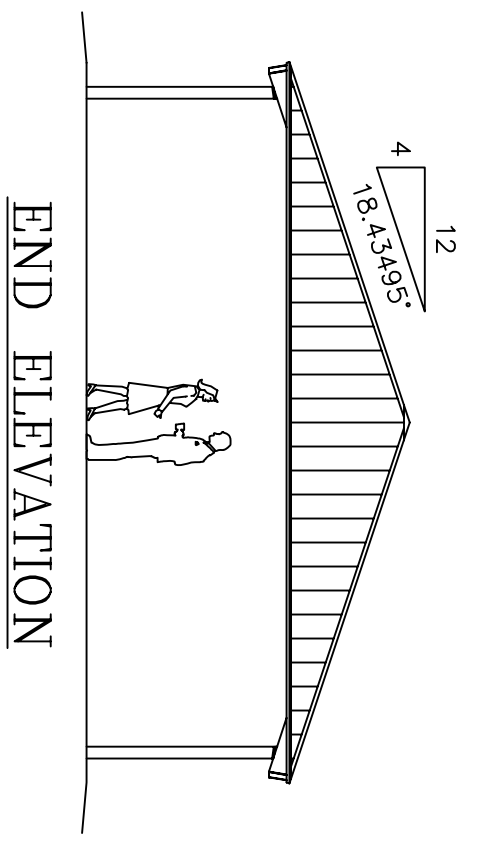


ACTUAL DESIGN WILL VARY DUE TO FOUNDATION CONDITIONS AND SHALL BE SUBSTANTIALLY THEREOF.

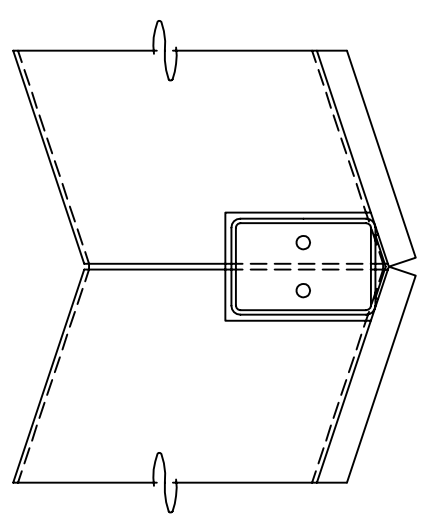
COLUMN PIER DETAIL



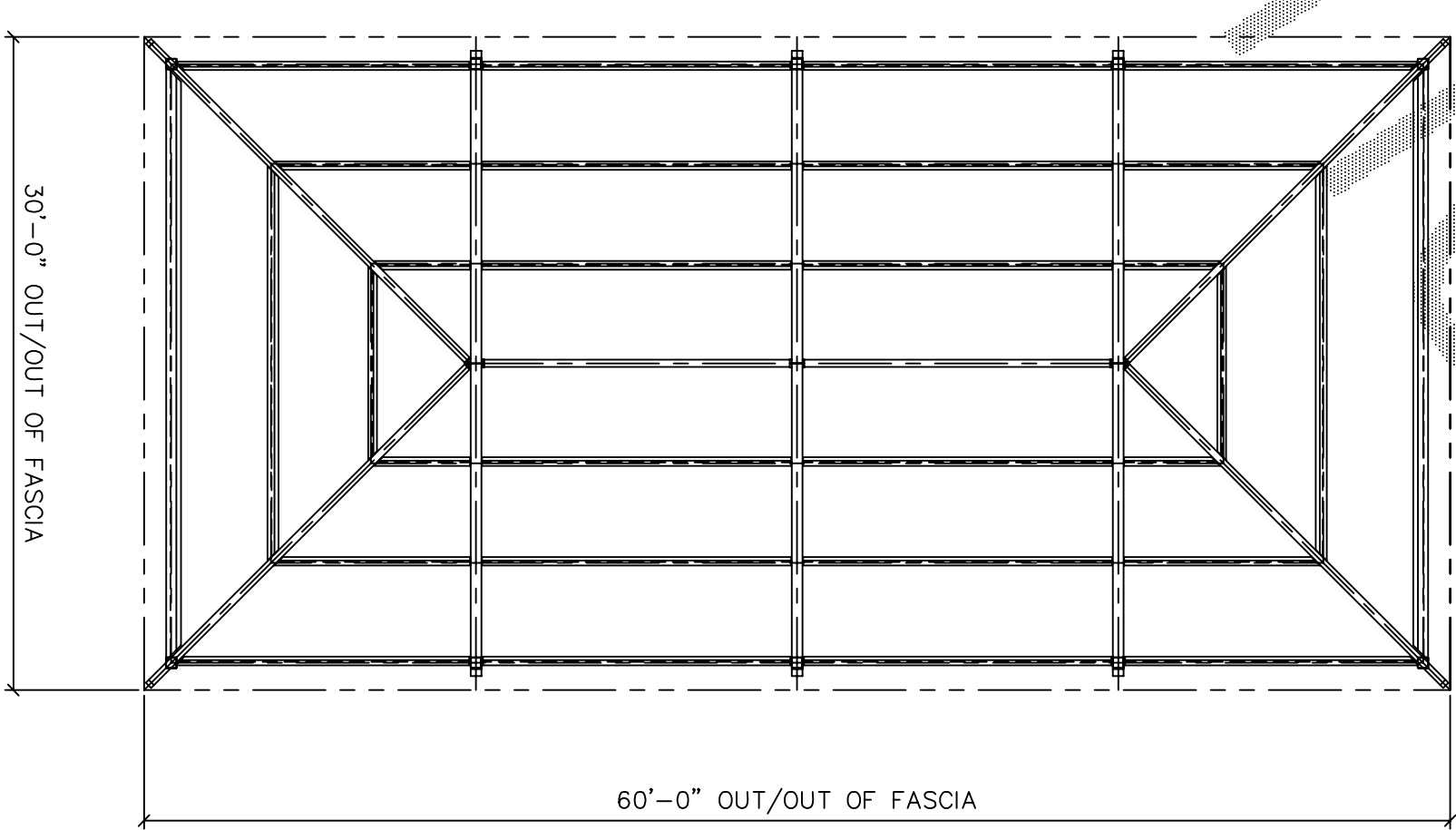
COLUMN TO FRAME CONNECTION



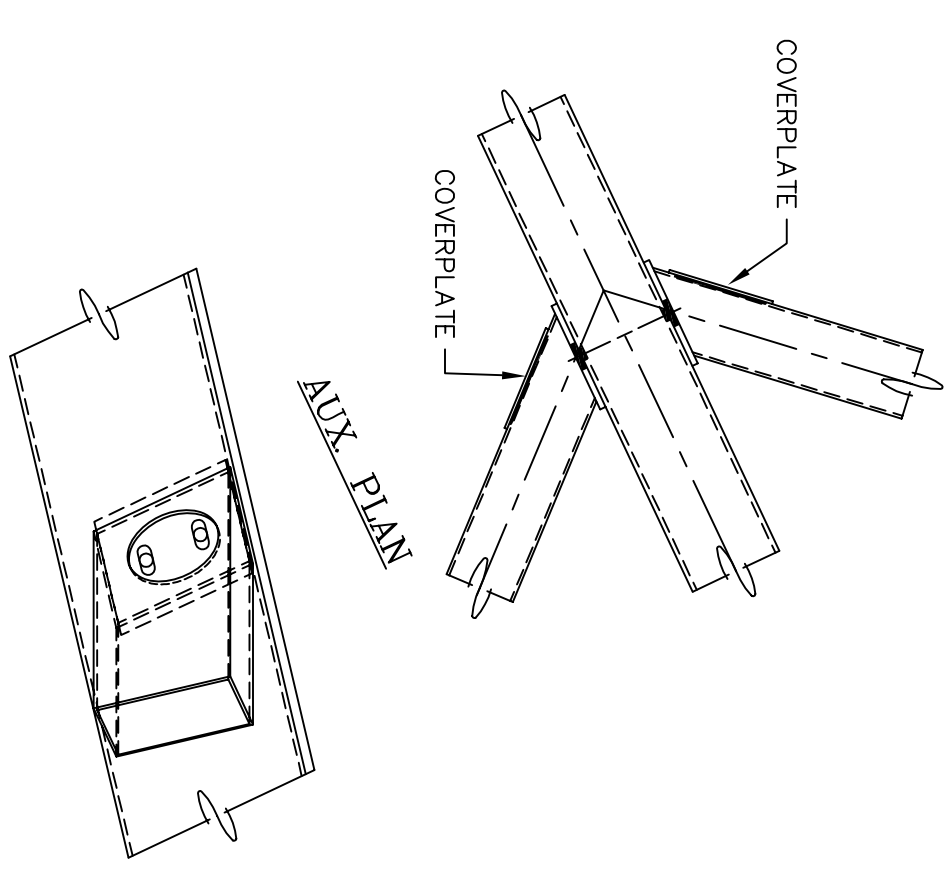
FOUNDATION PLAN



RIDGE PURLIN TO FRAME CONNECTION



ROOF FRAMING PLAN



PURLIN TO HIP CONNECTION

AS-H3060-04

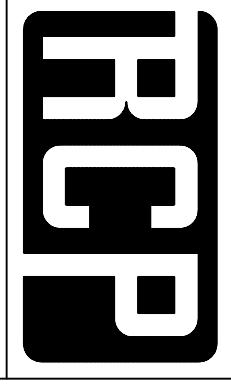
RCP SHELTERS, INC.

- 2100 SE RAYS WAY STUART, FL 34994
- PO BOX 25 STUART, FL 34995-0025
- SHELTERS
- PAVILIONS
- CONCESSIONS
- KIOSKS
- RESTROOMS
- BANDSHELLS
- MINI-SHELTERS
- DUGOUTS

Phone 800-525-0207
www.rcpselters.com

Fax 772-288-0207
Email info@rcpselters.com

NUMBER OF MEMBERS MAY VARY DEPENDING UPON DESIGN LOADS. SIZES AND SPACING OF MEMBERS TO BE DETERMINED DURING FINAL DESIGN.



PROJ. NO.:	
DRAWN:	DPP 2-27-08
CHK'D:	JLD
DESIGN:	
REV. 1:	
REV. 2:	
REV. 3:	
REV. 4:	
CAD. NO.:	AS-H3060-04
ECG. JOB NO.:	6832 R
SHEET NO.:	1X OF 1X

THIS PRINT IS THE PROPERTY OF RCP SHELTERS, INC. IT IS TO BE USED ONLY FOR THE PROJECT AND SITE SPECIFICALLY IDENTIFIED HEREON. NO REPRODUCTION OR TRANSMISSION IS PERMITTED WITHOUT WRITTEN PERMISSION.